

RC-5C *Plus*

Table of Contents

9.0 Illustrated Parts List

RC-5 C Illustrated Parts List

**RC-5C *Plus* Brush System Illustrated
Parts List**

**RC-5C *Plus* Brushless System Illustrated
Parts List**

Section 13: *ILLUSTRATED PARTS*

This section provides illustrations of RC-5C PLUS assemblies and each illustration is keyed by item numbers to an accompanying parts list. The parts lists provide the part numbers and descriptions of each item that is called out on the illustrations. When ordering replacement parts, specify the part number and description, and the serial number of the centrifuge.

NOTE:

Tables throughout this section contain part numbers valid at the time of printing. All part numbers are subject to change without notice. Part numbers in **BOLD BLACK** type are currently stocked at our parts depot and are routinely available. Other parts listed in **RED** will be provided on a best effort basis.

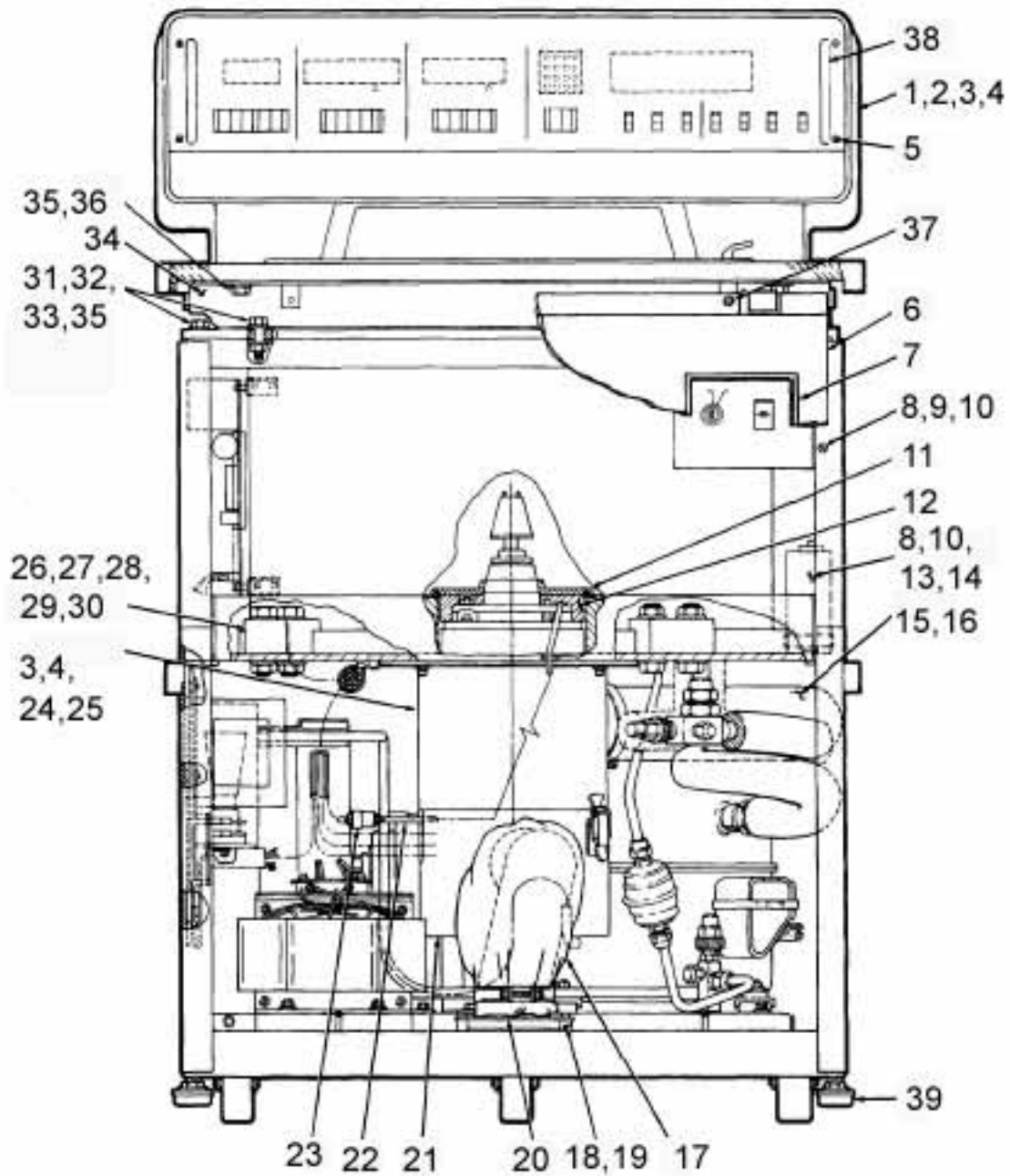


Figure 13-1. RC-5C Assembly, Front View

Item No.	Description	Part No.
1	CONSOLE ASSY, RC-5C	50611
2	BOLT, HEX HD, STL, CAD PLTD, 1/4-20 x 1 3/8 LG	63191
3	W ASHER, 1/4 FLAT, STL, CAD PLTD, 5/8 O.D. x 9/32 I.D. x 1/16 THK	60233
4	WASHER, 1/4 SPLIT LOCK, STL, CAD PLTD	60448
5	SCREW, MACH, TRUSS HD, PHILLIPS, SST, UNC #8-32 x 5/16 LG	68044
6	PANEL ASSEMBLY	50661
7	BEZEL, PANEL, C IRCUIT BREAKER	52806
8	SCREW, M ACH, PAN HD, SLOTTED, SST, #8-32 x 3/8 LG	62358
9	W ASHER, #8 FLAT, SST, 3/8 O.D. x 11/64 I.D. x .031 THK	60171
10	W ASHER, #8 SPLIT LOCK, SST	60172
11	SEAL, COVER, GYRO, RC-5B	50414
12	DISC, INSULATING FOAM	50415
13	CAPACITOR, MOTOR RUN, 20 MFD, 330 Vac	66961
14	BRACKET, CAPACITOR, UNIVERSAL WRAP AROUND	66957
15	HOSE ASSY, OUTLET	50429
16	CLAMP, HOSE, 3" DIA HOSE	66632
17	HOSE ASSY, INLET	50428
18	SPACER, ROUND, 1/2 O.D. x .171 I.D. x 1/2 LG	64401
19	SCREW, PAN HD, SST, #6-32 x 3/4 LG	65766
20	INLET, HOSE ADAPT	50225
21	SILENCER, BOTTOM	50190
22	HARNESS, SUBASSY, IMBALANCE DETECTOR	50778
23	CONNECTOR BODY, PLUG, ELEC, 3 POSN	67669
24	SCREW, CAP, SOC HD, STL, 1/4-20 x 3/4 LG	60447
25	SILENCER, TOP	50189
26	HOLD DOWN BLOCK (GUARD TO BASE)	20839
27	BOLT, HEX HD, GRADE 5 STL, CAD PLTD, 5/8-11 x 1-1/2 LG	65646
28	W ASHER, FLAT, 5/8, STL, CAD PLTD, 1-1/4 O.D. x 41/64 I.D. x 1/16 THK	65647
29	W ASHER, 5/8 SPLIT LK, ST L, CAD PLTD, MED SERIES	65648
30	NUT, HEX, JAM, GRADE 5, STL, 5/8-11	64784
31	NUT, HEX, STL, CAD PLTD, 3/8-16	62681
32	W ASHER, FLAT 3/8 STL, CAD PLTD, 13/32 I.D. x 13/16 O.D. x 1/16 THK	61627
33	SCREW, CAP, HEX HD, STL, 3/8-16 x 1-1/2 LG	66027
34	SUPPORT ASSY, TOP DECK, FRONT	50430
35	W ASHER, 3/8 SPLIT LOCK, STL, MED, CAD PLTD	61626
36	SCREW, HEX HD, 3/8-16 x 3/4 LG, STL CAD PLATE	64743
38	BAR	50731
39	LEVELING PAD	60619
40	RC-5B/5C PREVENTATIVE MAINTENANCE KIT	12010

Table 13-1. RC-5C Assembly, Front View

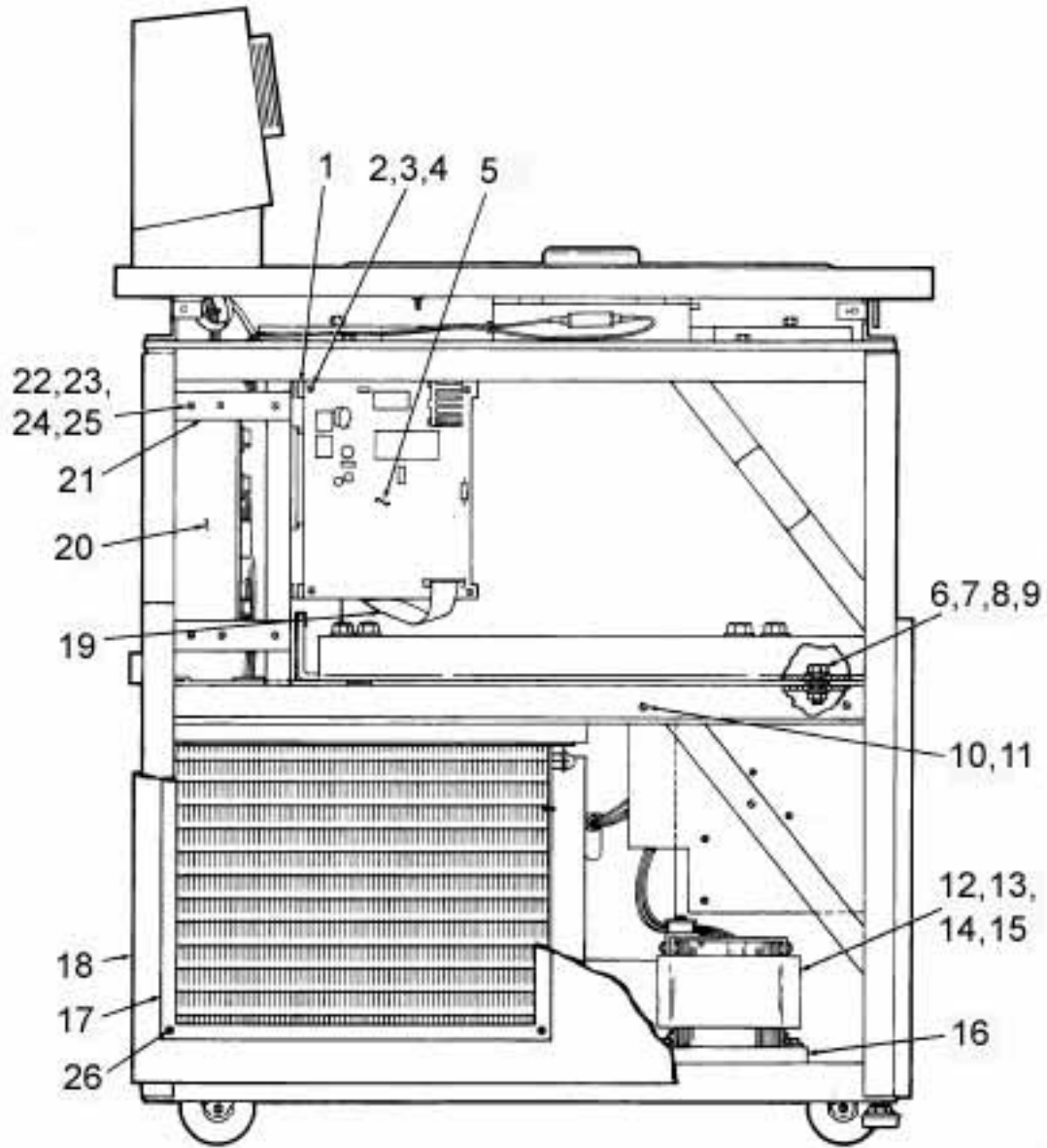


Figure 13-2. RC-5C Assembly, Left View

Item No.	Description	Part No.
1	BRACKET, SUBASSY, HIGH VOLTAGE INTERFACE	50768
2	SCREW , MACH, PAN HD, SLOTTED, STL, CAD PLTD #6-32 x 1/2 LG	60971
3	WASHER, #6 SPLIT LOCK, SST, MED	62021
4	WASHER, FLAT, #6, .169 I.D. x .304 O.D. x .032 THK, SST	63085
5	P.C. BOARD ASSY, HIGH VOLTAGE INTERFACE	50710
6	SCREW , CAP, HEX HD, STL, 3/8-16 x 1 LG	61665
7	WASHER, 3/8 SPLIT LOCK, STL, MED, CAD PLTD	61626
8	NUT, HEX, STL, CAD PLTD, 3/8-16	62681
9	WASHER, FLAT 3/8, STL, CAD PLTD, 13/32 I.D. x 13/16 O.D. x 1/16 THK	61627
10	SCREW, MACH, PAN HD, SST, #10-32 x 1/2 LG	61124
11	WASHER, #10 SPLIT LK, SST, LIGHT SERIES	60346
12	REACTOR ASSY, (220V/50 HZ)	74075
12	REACTOR ASSY, (208V/60 HZ)	74075
12	REACTOR ASSY, (240V/50 HZ)	74075
12	REACTOR ASSY, (230V/60 HZ)	74075
13	SCREW, CAP, SOC HD-HEX, STL CAD PLTD, UNC, 1/4-20 x 1-1/2 LG	64281
14	WASHER, #1/4, 9/32 I.D. x 5/8 O.D. x 1/16 THK, STL CAD PLTD	60233
15	WASHER, LOCK SPLIT, #1/4 x .045 THK, STL CAD PLTD	60448
16	SPACER	50397
17	BEZEL, CONDENSER	50434
18	PANEL ASSEMBLY	50375
19	CABLE ASSY, CONTROL, RC-5C	50806
20	POWER SUPPLY, SUBASSY, RC-5C	74235
21	BRACKET, SUBASSY, MOUNTING POWER SUPPLY	50754
22	NUT, HEX, SST, #6-32	60074
23	SCREW, MACH, PAN HD, SLOTTED, STL, CAD PLTD, #6-32 x 1/2 LG	60971
24	WASHER, #6, SPLIT LOCK, SST, MED	62021
25	WASHER, FLAT, #6, SST, .169 I.D. x .304 O.D. x .032 THK	63085
26	RIVET, POP, OPEN END, DOMED HD, AL, 5/32 DIA x .379 LG	66045

Table 13-2. RC-5C Assembly, Left View

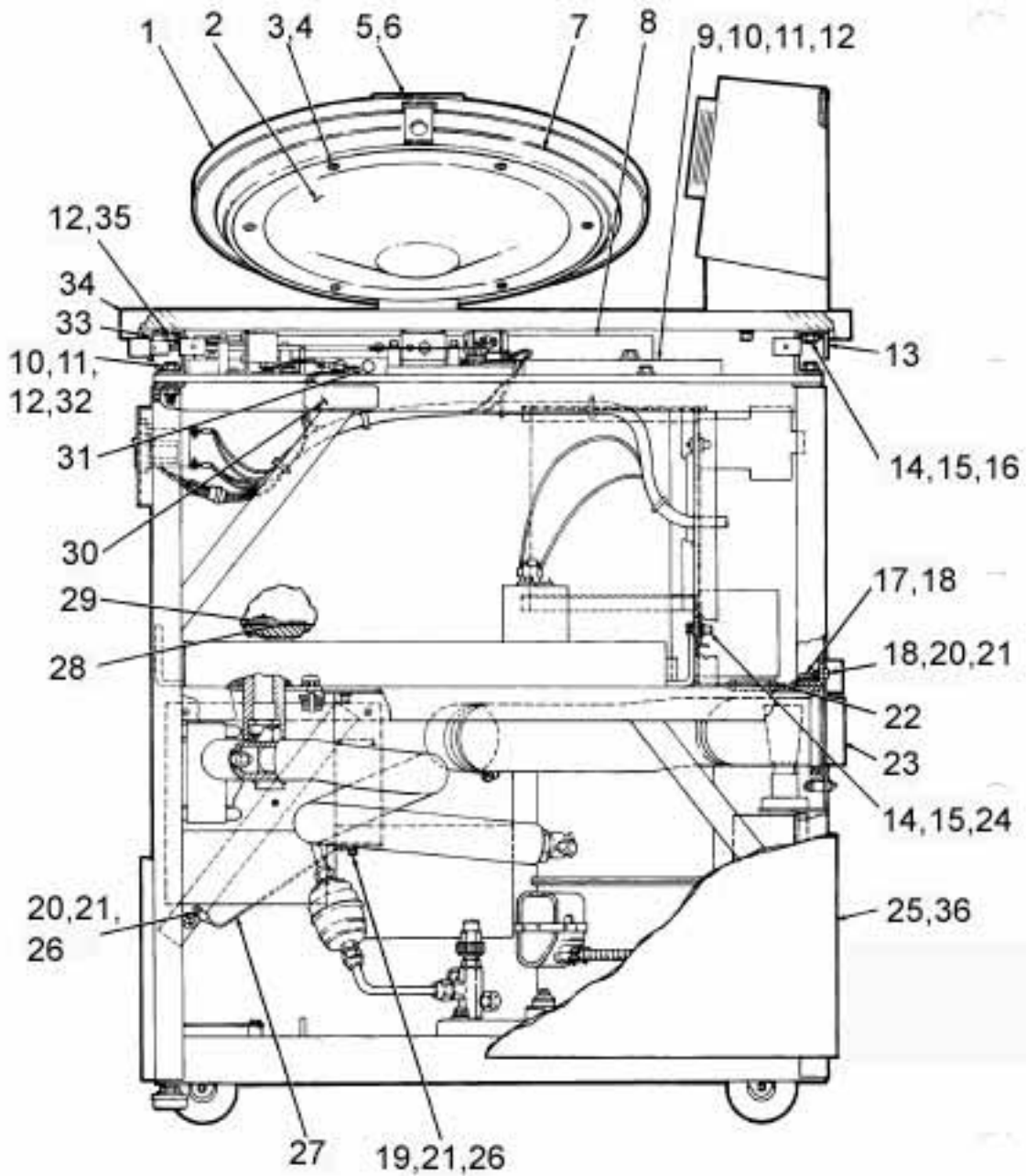


Figure 13-3. RC-5C Assembly, Right View

Item No.	Description	Part No.
1	DOOR ASSY	50095
2	DIFFUSER ASSY	20785
3	SCREW, WOOD, OVAL HD, PHIL, SST, #19 x 1-1/4 LG	60683
4	SCREW, WOOD, OVAL HD, PHIL, SST, #19 x 1-1/4 LG	65676
5	HANDLE, DOOR	66306
6	SCREW, CAP, FLAT HD, SOCKET HEX, STL BLK OXIDE, UNF #8-32 x 1 LG	66982
7	SEAL, UPPER, DOOR	50473
8	SHROUD	50094
9	PLATE, TOP, EVAPORATOR	50610
10	SCREW, CAP, HEX HD, STL, 3/8-16 x 1-1/2 LG	66027
11	WASHER, FLAT 3/8, STL, CAD PLTD, 13/32 I.D. x 13/16 O.D. x 1/16 THK	61627
12	WASHER, 3/8 SPLIT LOCK, STL, MEO, CAP PLTD	61626
13	SUPPORT ASSY, TOP DECK (REAR) RC-5C	50616
14	WASHER, 1/4 FLAT, STL, CAD PLTD, 5/8 O.D. x 9/32 I.D. x 1/16 THK	60233
15	WASHER, 1/4 SPLIT LOCK, STL, CAD PLTD	60448
16	BOLT, HEX HD, STL, CAD PLTD, 1/4-20 x 1-3/8 LG	63191
17	SCREW, MACHINE, PAN HD, SLOTTED, SST, #8-32 x 3/8 LG	62358
18	WASHER, FLAT, #10, SST	61652
19	NUT, HEX, SST, #10-32	60012
20	SCREW, MACHINE, PAN HO, SST, #10-32 x 1/2 LG	61124
21	WASHER, #10 SPLIT LK, SST, LIGHT SERIES	60346
22	GROMMET, RUBBER	60363
23	OUTLET, HOSE ADAPTER	50393
24	SCREW, HEX, HD CAP, 1/4-20 x 5/8 LG, STL, CAD PLTD	61258
25	PANEL ASSY, SIDE, RIGHT	50378
26	WASHER, LOCK, INTERNAL TOOTH, #10	61712
27	STRAP ASSY, GROUNDING	20098
28	SENSOR ASSY, FLOOR TEMP	74596
29	SENSOR ASSY, AIR TEMP	74579
30	LABEL, HIGH VOLTAGE	61223
31	CORK, #4	66633
32	NUT, HEX, STL, CAD PLTD, 3/8-16	62681
33	SUPPORT ASSY, TOP DECK, FRONT	50430
34	DECK ASSY	50256
35	SCREW, HEX HD, 3/8-16 X 3/4 LG, STL CD PLTD	64743
36	KSB PLUG, OUTER (NOT SHOWN)	20972
	Silencer, Top	50189
	Silencer Bottom	50190
	Hose Clamp, Silencer	66632
	Exhaust Hose	50429

Table 13-3. RC-5C Assembly, Right View

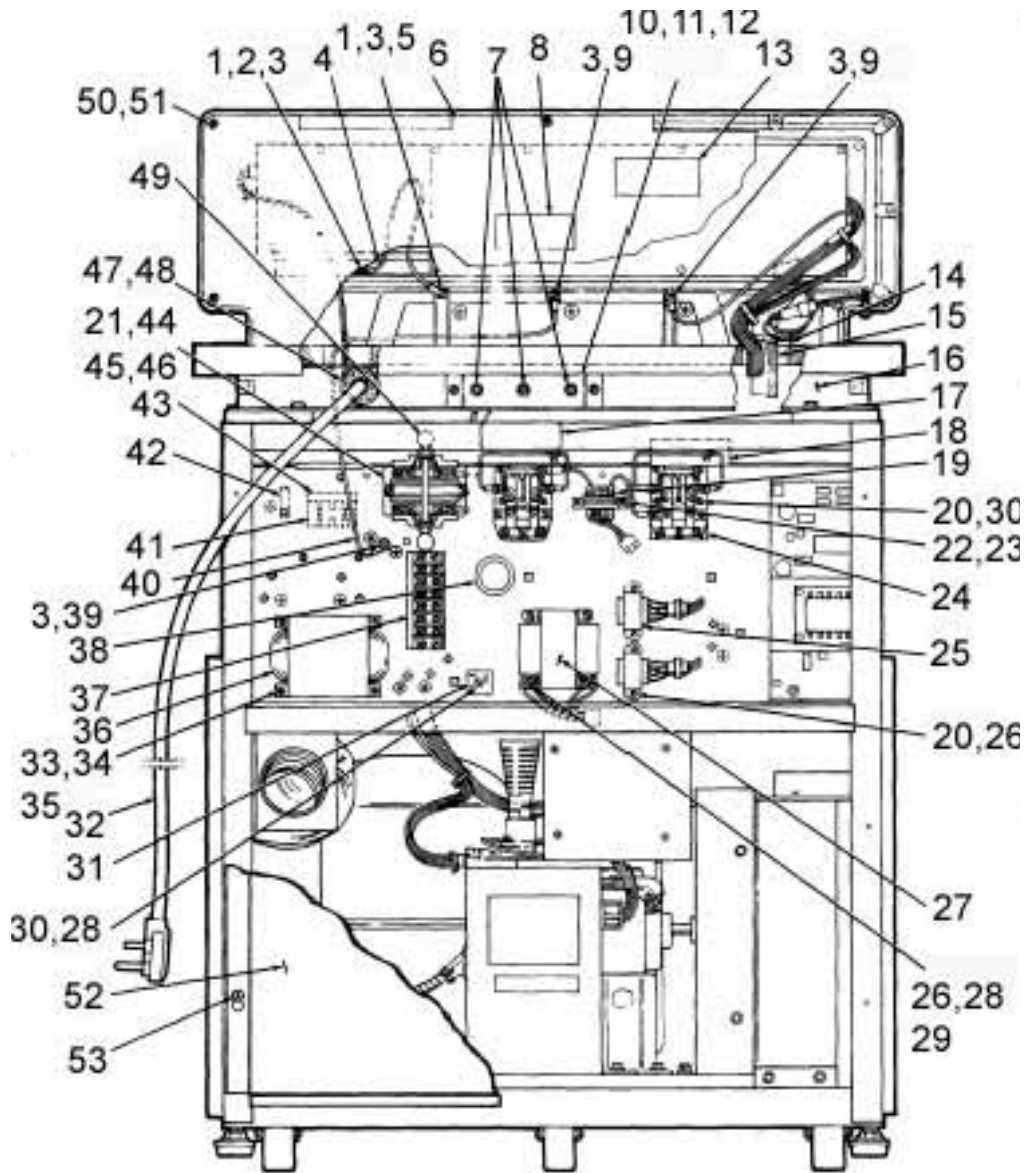


Figure 13-4. RC-5C Assembly, Rear View

Item No .	Description	Part No.
1	WASHER , LOCK, SPLIT, #10 SST .040 THK	63016
2	NUT , HEX, SST , UNF , # 10 -32	61757
3	WASHER , LOCK, EXTERNAL TOOTH , #10 SST	67896
4	STRAP ASSY, PANEL GROUNDING	50807
5	SCREW , MACHINE, PAN HD , SLOTTED , SST , UNF , # 10 -32 x 3/8 L G	61597
6	COVER, REAR, CONSOLE	50727
7	CIRCUIT BREAKER, 1 AMP, 250 V ac	66760
9	SCREW , MACHINE, PAN HD , S ST , #10 -32 x 1/2 LG	61124
10	SCREW , M ACHINE, PAN HD, SLOTTED, SST , #8-32 x 32 LG	62358
11	WASHER, #8 SPLIT LOCK, SST	60172
12	BRACKET, BREAKER	50624
13	LABEL , W ARNING	61222
14	CLAMP , CABLE , FLAT, ADHESIVE MOUNT	67294
15	CABLE ASSY, CONTROL	50806
16	SUPPORT ASSY, TOP DECK (REAR)	50616
17	LABEL, DANGER, HIGH VOLTAGE	61223
18	INSULATOR	50852
19	TRANSFORMER ASSY, CURRENT LIMITING	50784
20	WASHER, LOCK, SPLIT , #8 x .031 THK , SST	60172
21	WASHER, FLAT, SST, # 10 , 13/64 I.D. x 7/16 OD. x .031 THK	61984
22	SCREW, MACHINE, PAN HD, SLOTTED, STL CD PL	60971
23	WASHER, LOCK SPLIT, #6, SST , .031 THK	63011
24	RELAY, POWER, HEAVY DUTY, 24 Vdc	66922
25	TRANSFORMER SUBASSY, RELAY PANEL	50799
26	SCREW, MACHINE, PAN HD, SLOTTED, SST , UNC #8-32 x 1/4 LG	61437
27	TRANSFORMER, CURRENT LIMITING	50779
28	WASHER, #8 11/64 I.D. x 3/8 O.D. x .031 THK, SST	60171
29	SCREW, MACHINE, PAN HD, SLOTTED, SST, UNC # 8 -32 x 5/16 LG	61818
30	SCREW, MACHINE, PAN HD , SLOTTED , SST , UNC # 8 -32 x 9/16 LG	61984
31	RECTIFIER	923627
32	POWER CORD	64065
33	WASHER, LOCK, SPLIT, #10 x .040 THK , SST	60346
34	WASHER, FLAT, SST , #10-13/64 I.D. x .031 THK	61652
35	SCREW , MACH, SLOTTED, SST , UNF , #10-32 x 5/16 LG	60855
36	TRANSFORMER ASSY.	20938
37	TERMINAL BLOCK, BARRIER TYPE, 6 TERM, 30 AMP SPECIAL	67969

Table 13-4. RC-5C Assembly, Rear View

Item No.	Description	Part No.
38	GROMMET, NEOPRENE, 15/16 I.D. x 11/16 O.D. x 15/16 THK	68059
39	NUT, HEX, SST, #10-32	60012
40	STRAP ASSY, GROUNDING	50805
41	TERMINAL STRIP, 4 POLE, 40 AMP, 380/450V	67415
42	CONNECTOR. CABLE, #14-6 AWG RANGE, #10 MTG	65699
43	INSULATOR, TERMINAL BLOCK	50352
44	CONTACTOR, DEFINITE PURPOSE, 2 POLE, 24 Vdc	66275
45	SCREW, MACHINE, PAN HD, SLOTTED, SST, UNF #10-32 x 3/8 LG	61597
46	WASHER, LOCK, SPLIT, #10 SST, .047 THK	61652
47	STRAIN RELIEF	68037
48	NUT (STRAIN RELIEF)	68038
49	VARISTOR ASSY	50615
50	SCREW, PAN HD. SST, #10-24 x 7/16 LG	61837
51	WASHER, FLAT, #10, SST	61652
52	PANEL ASSY, REAR	50692
53	SCREW, SELF THREAD, TRUSS HD, PHIL, SEMS, EXT TOOTH, #12-24 x 3/8 LG	67110

Table 13-4. RC-5C Assembly, Rear View

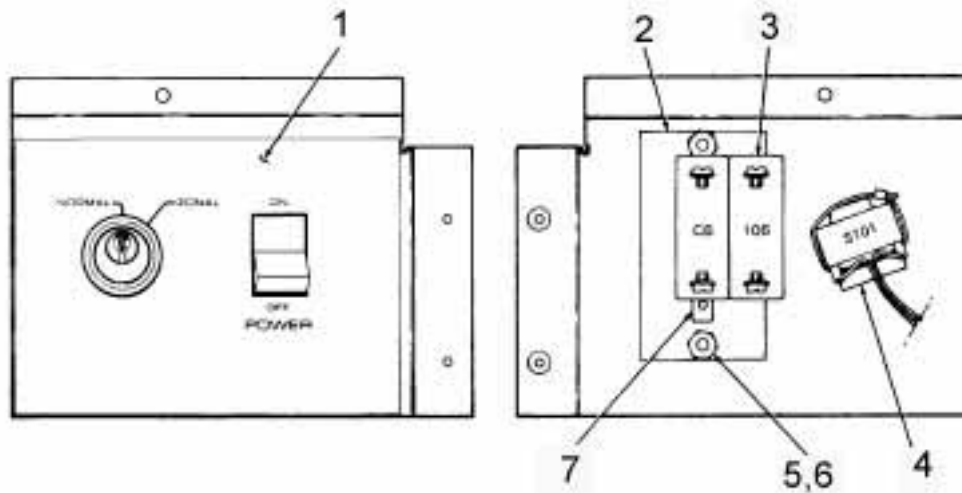


Figure 13-5. Panel Assembly, Keyswitch

Item No.	Description	Part No.
-	PANEL ASSY, KEYSWITCH	50751
1	OVERLAY, KEYSWITCH PANEL	50773
2	PLATE, MOUNTING, CIRCUIT PROTECTOR	50097
3	CIRCUIT PROTECTOR, TWO POLE, 30 AMP	91476
4	SWITCH ASSY, KEY, RC-5C	50798
5	NUT, HEX, SST, UNF, #10-32	61757
6	WASHER, LOCK, SPLIT, #10. SST, .040 THK	63016
7	SCREW, MACHINE, FLAT HD, SLOTTED, SST, UNC, #6-32 x 1/4 LG	60674
-	KEY	65919

Table 13-5. Panel Assembly, Keyswitch

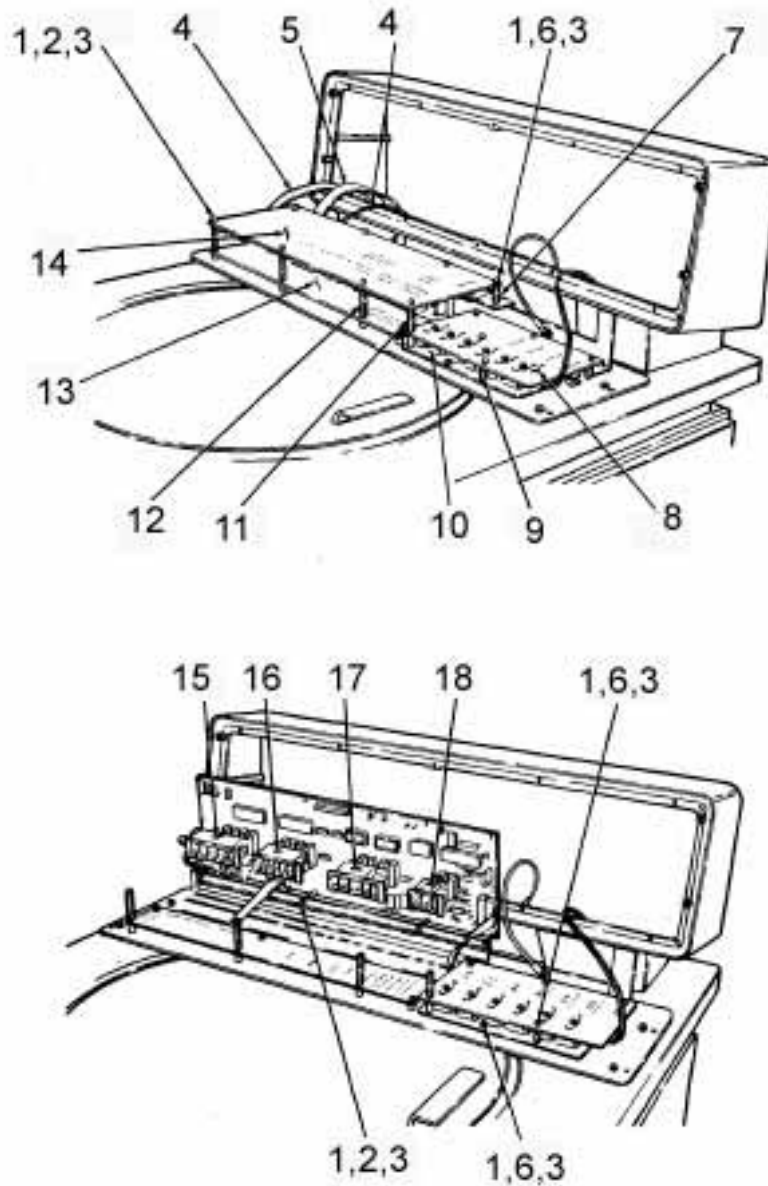


Figure 13-6. Front Console Panel Assembly

Item No.	Description	Part No.
1	SCREW , MACH, PAN HEAD, SLOTTED , SST , UNC #6-32 x 3/8 LG	61132
2	WASHER, FLAT, .169 I.D. x .304 O.D. x .032 THK. SST	63085
3	WASHER, LOCK, SPLIT , #6, SST, .031 THK	63011
4	HARNESS ASSY. MAIN	50809
5	CABLE ASSY, CONTROL	50806
6	NUT, HEX, SST, # 6 -32	60074
7	STANDOFF, MALE-FEMALE, 1/4 HEX x 1 " LG , #6-32, SST	67335
8	SWITCHES AND INDICATORS, PRINTED CIRCUIT BOARD ASSY	50685
9	STANDOFF, MALE-FEMALE, 1/4 HEX x 1 " LG , #6-32, SST	50756
10	REFLECTOR, L IGH T	50645
11	STANDOFF, FEMALE, 1/4 HEX x 1/4 LG, #6-32, SST	68046
12	STANDOFF, MALE-FEMALE, 1/4 HEX x 1-5 /8 LG, # 6-32 , SST	67337
13	LED DISPLAY, PRINTED CIRCUIT BOARD ASSY	50679
14	MICROCOMPUTER, PRINTED CIRCUIT BOARD ASSY	56266
15	SWITCH, MINILEVER, PANEL MOUNT, 5 STATION	92253
16	SWITCH, MINILEVER, PANEL MOUNT, 5 STATION	92251
17	SWITCH, MINILEVER, PANEL MOUNT, 5 STATION	92250
18	SWITCH, MINILEVER, PANEL MOUNT, 2 STATION	92252
---	SH-MT SOFTWARE UPGRADE KIT	12814
---	ROTOR LABEL I.D. STICKER (ONLY)	50884

Table 13-6. Front Console Panel Assembly

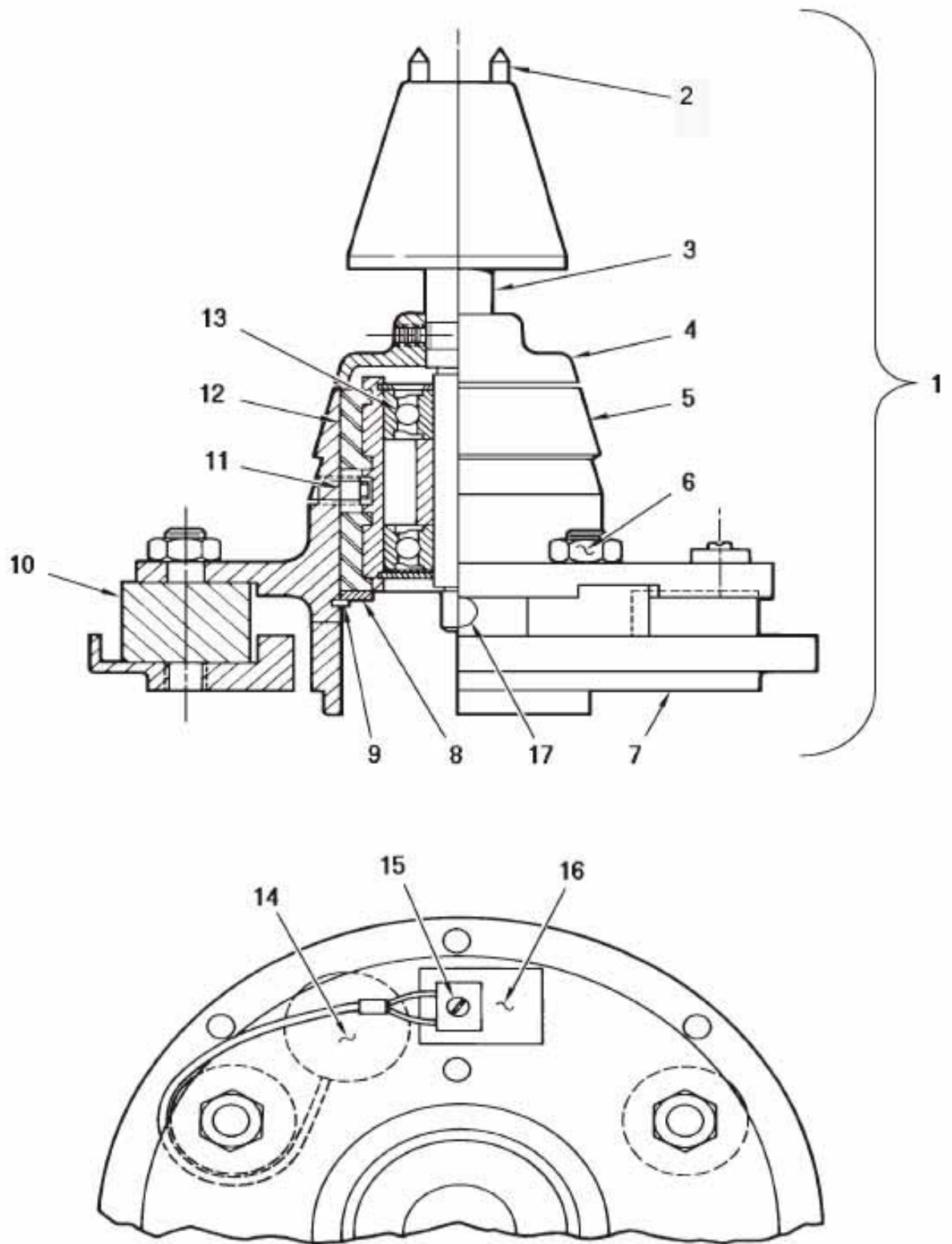


Figure 13-7. RC5C Drive Assembly

Item No.	Description	Part No.
1	RC-5C GYRO ACTION DRIVE ASSY (NEW)	12817
2	PIN, TAPERED SPINDLE	204742
3	SPINDLE ASSY	12818
4	SLINGER, SEALING	12818
5	PLATE, MOUNTING, UPPER	50812
6	NUT, HEX, SST, UNC 5/16-18	67273
7	PLATE, MOUNTING, LOWER	50407
8	WASHER, SUPPORT	50409
9	RETAINING RING	67270
10	MOUNT, FLEX-BOLT	50408
11	SCREW, SET, HEX SOCKET, SST, UNC 1/4-20 x 3/8 LG	67272
12	HOUSING ASSY, BEARING	50579
13	KIT, BEARING, REPLACEMENT	12342
14	DETECTOR, IMBALANCE	50843
15	SCREW , MACH, PAN HD , SLOTTED , SST, UNC, #2-56 x 1/4 LG	63818
16	INSULATOR	67710
17	PLUG, ACCESS HOLE	67341

Table 13-7. RC5C Drive Assembly

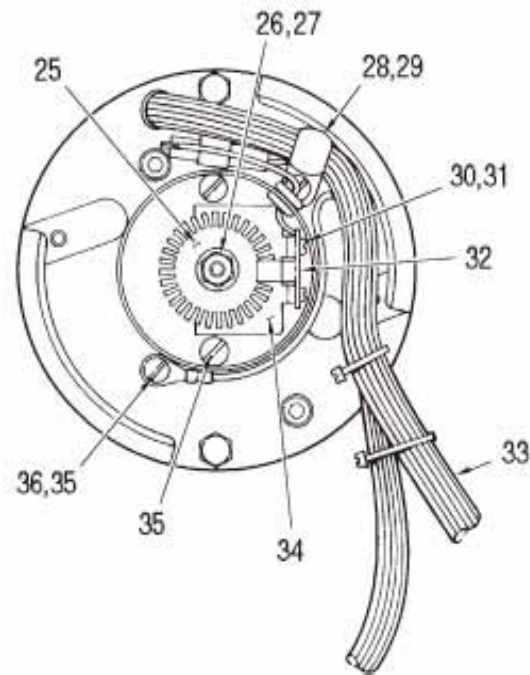
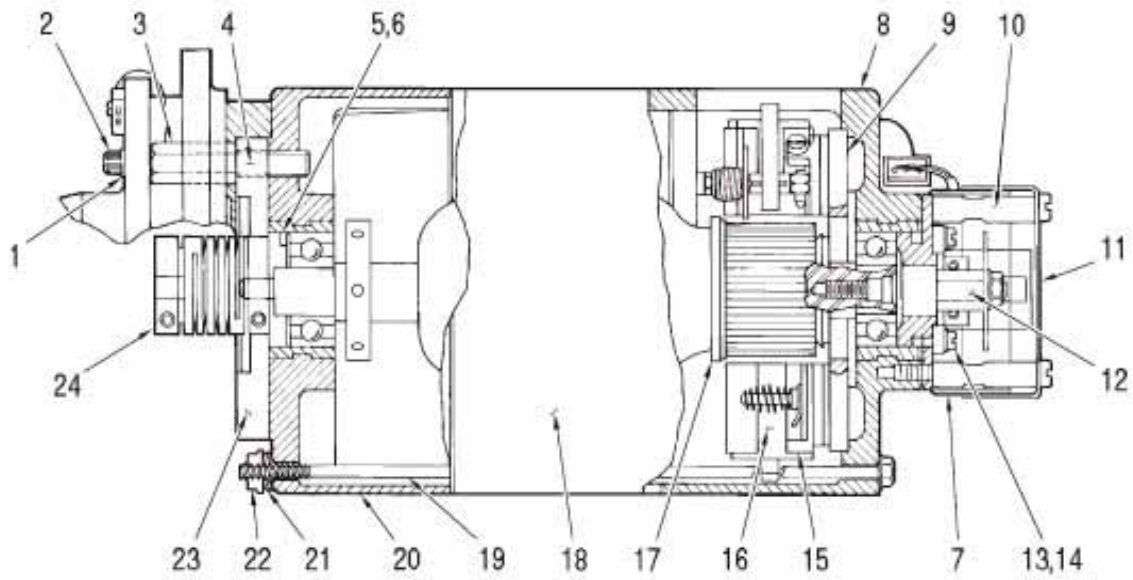


Figure 13-8. RC5C Low Noise Motor Assembly

Item N o.	Description	Part No.
---	RC-5C LOW NOISE MOTOR ASSY	12991
1	WASHER, LOCK, SPLIT, #10, SST, .040 THK	63016
2	SCREW, CAP, SOCKET HD HEX, SST, UNF, #10-32 x 3 /4 LG	60568
3	STANDOFF, 7/16 HEX, MALE 1/2-20 FEMALE #10-32	50418
4	ADHESIVE, SEALANT, LOCTITE, #222	65811
5	WASHER, SPRING, WAVY, 1.051 I.D. x 1.351 O .D.	67281
6	SHIM, .010 THK	20483
6	SHIM, .020 THK	20509
6	SHIM, .040 THK	20510
7	PLATE, BAFFLE, MOTOR	20471
8	BELL, END, LOWER, MOTOR	20445
9	DISC, INSULATING, MOTOR	20478
10	STANDOFF, DUST COVER, 5/16 D IA, MALE/FEMALE, #10-24 x 1 -1/4 LG	50849
11	COVER , DUST, OPTICAL PICK-UP	50850
12	SHAFT, OPTICAL P ICK-UP	50617
13	SCREW, MACHINE, PAN HD,SLOTTED, SST, #5-40 x 1/4 LG	61498
16	Brush, Commutator, 3/8" THK	74196
15	HOLDER ASSY, PLATE & BRUSH, RC-5C	50147
16	BRUSH, COMMUTATOR, ¼ " THK	12284
17	ARMATURE, ASSY, RC-5C (LOW NOISE)	12750
18	HOUSING & STATOR ASSY, MOTOR (MACHINING)	20612
19	ROD, TIE, MOTOR	20507
20	BELL, END, UPPER, MOTOR, RC-5C (LOW NOISE)	50421
21	WASHER, SPRING, BELLEVILLE, SPRING STEEL, .19 I.D. x .375 O .D. x .03 H x .02 THK	61980
22	NUT, FLANGE, LOW CARBON STL, CAD PL, UNC #10-29	61815
23	PLATE, PRELOAD	50416
24	COUPLING ASSY, RC-5B (LOW NOISE)	12345
25	DISC, OPTICAL PICK-UP	50735
26	NUT, HEX, SST , UNF, #10-32	61757
27	WASHER, LOCK, SPLIT, #10 SST, .040 THK	63016
28	CLAMP, CABLE, PLASTIC, 3/8 DIA, .204 MTG HOLE	64111
29	SCREW , MACHINE, PAN HD, SLOTTED, SST, UNC, #8-32 x 3/8 LG	62358
30	SCREW, MACH, PAN HD, SLOTTED, SST , UNC, #4-40 x 3/16 LG	62913
31	WASHER, LOCK, SPLIT, #4, SST, .031 THK	63006
32	PRINTED CIRCUIT BOARD ASSY, TACK PICK-UP	55635
33	HARNESS ASSY, MOTOR, RC-5C	50814
34	BRACKET	50618
35	SCREW , MACHINE, PAN HD, SLOTTED, SST, UNC, #10-24 x 1/4 LG	61817
36	WASHER, LOCK, #10 EXTERNAL TOOTH, SST	67896
---	MOTOR MOUNTING PLATE SPACER	50486

Table 13-8. RC5C Low Noise Motor Assembly

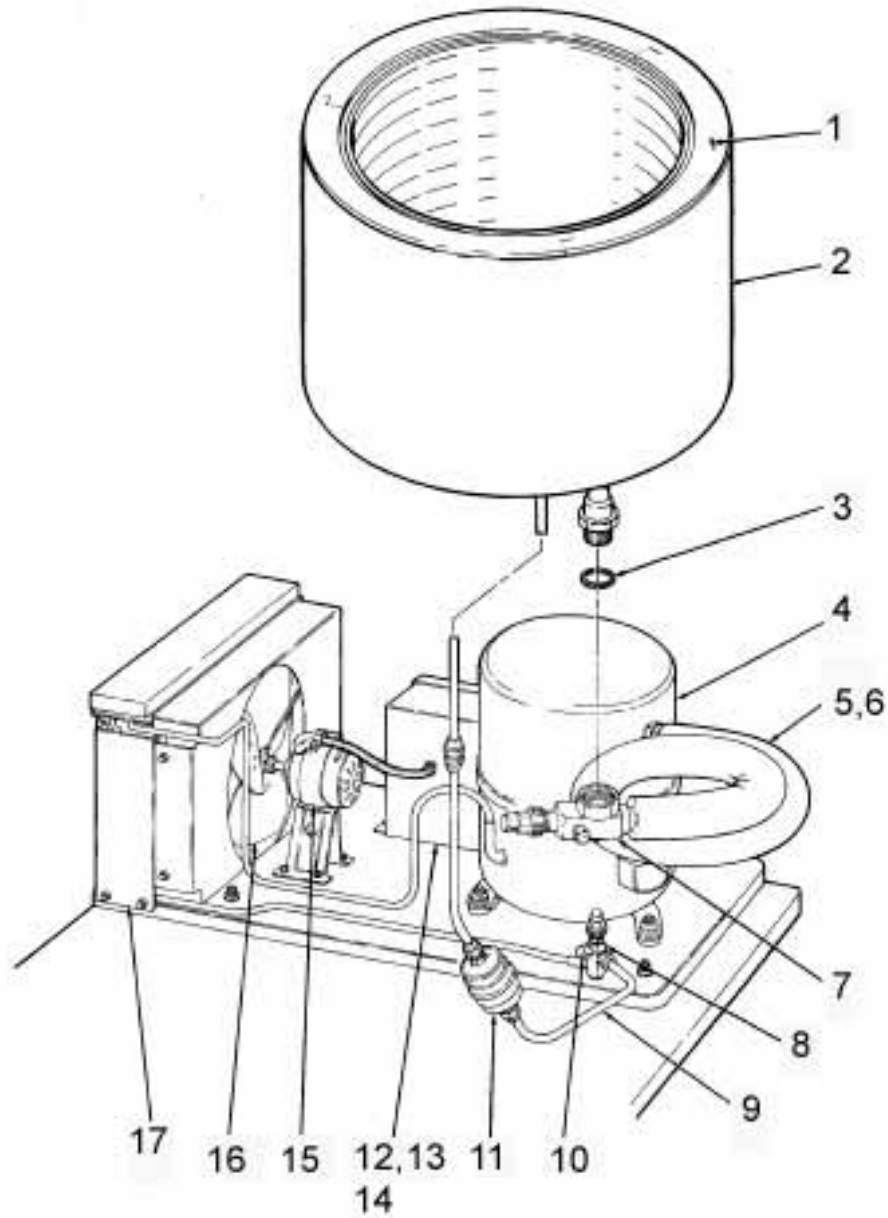


Figure 13-9. RC5C Condensing Unit Assembly and Evaporator Subassembly

Item #	Model Starting Serial # Ending Serial # Refrigerant	RC-5C Unknown 9300321 R502 Original Config.	RC-5C If upgraded prior to 7/99 HP-62 Replacement Parts	RC-5C If upgraded After 7/99 HP-62 AV series comp.
11	Filter Drier	91470	91470	91470
6	Suction Tube	50350	50350	50362
15	Condenser Fan Motor	91392	91392	91392
12	Run Capacitor	67941	91983	92733
13	Start Capacitor	91981	91981	92734
14	Potential Relay	67943	91986	92732
16	Condenser Fan Blade	67944	91897	91897
17	Condensing Assembly (Includes compressor, condenser, & associated tubing)	20802*	20802*	20802*
	Teflon Seal (small)	-----	66952	66952
3	Teflon Seal (large)	61768	61768	61768
4	Compressor (use condensing assy. kit)	20802*	20802*	20802*
2	Evaporator	12236	12236	12236
9	Tube, Filter to Service Valve (flare to flare)	20654	-----	-----
9	Tube, Filter to Service Valve (flare to Rotalock)	-----	22011	22011
1	Evaporator Insulation	20094	20094	20094

* New compressors are to be charged with Suva HP-62 or equivalent refrigerant

Figure 13-9. RC5C Condensing Unit Assembly and Evaporator Subassembly

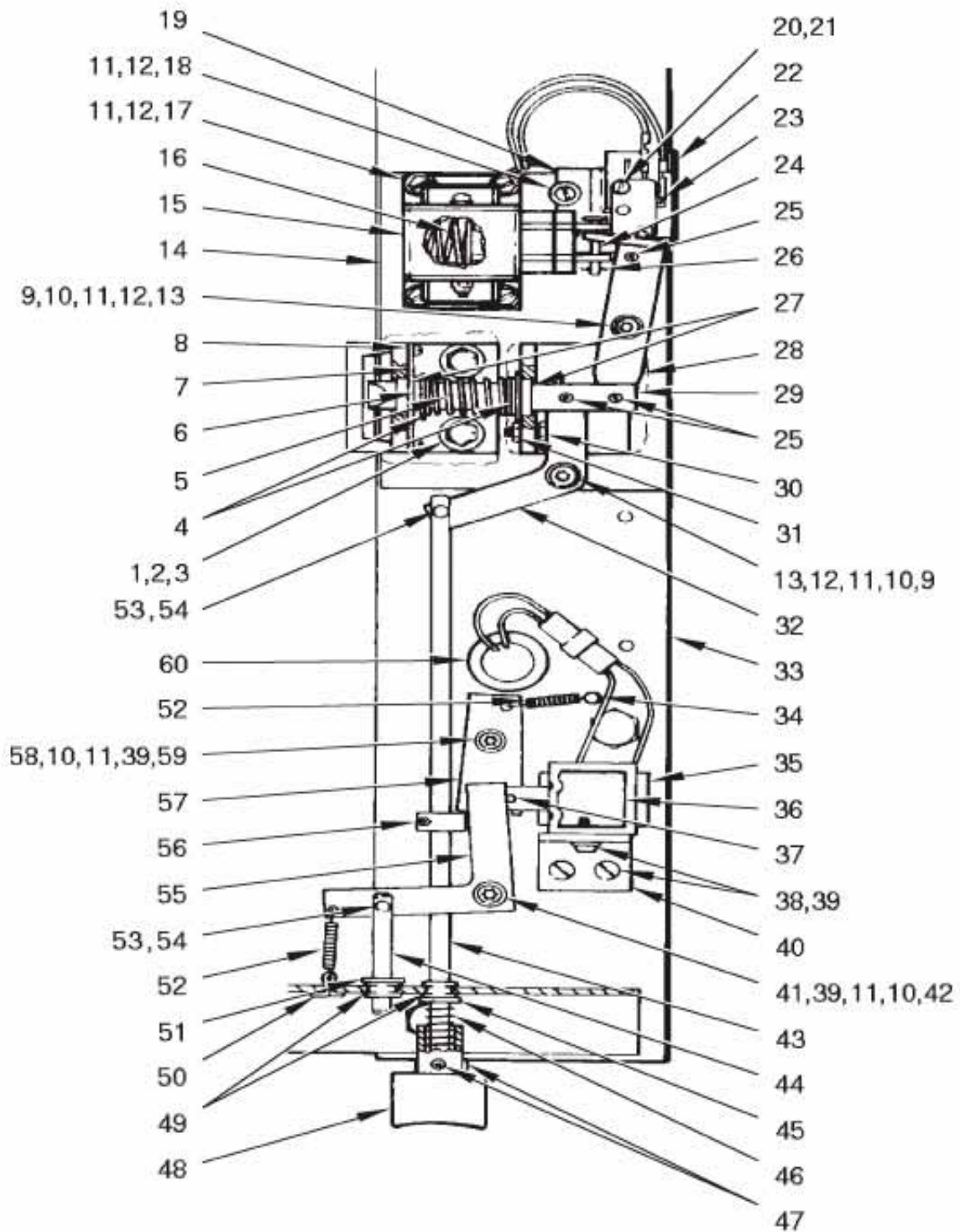


Figure 13-10. Door Interlock Assembly (Part A)

Item No.	Description	Part No.
1	WASHER, FLAT, 5/16, 11/32 I.D. x 1 1/16 O.D. x 1/16 THK, STL	60885
2	WASHER, 5/16 SPLITLOCK, SST, .078 THK	63023
3	SCREW, MACH, HEX HD, STL, CAD PL, 5/16 -18 x 1 1/4 L6	64747
4	WASHER, FLAT, .515 I.D. x .875 O.D. x .016 THK, SST	66341
5	SPRING, COMPRESSION, .53 I.D. x 2.3 LG, .038 WIRE DIA	50076
6	RING, RETAINING, EXTERNAL, 1/2 "	62503
7	RETAINER, BUSHING	50111
8	SCREW, MACH, PAN HD, SST, UNC, 4 -40 x 3/16 LG	66343
9	SPACER, ROUND, 1/2 O.D. x 3/4 LG, ALUM	66391
10	BEARING, BRASS, .196 I.D. x .375 O.D. x .125 THK	50112
11	WASHER, FLAT # 10, SST	61652
12	WASHER, LOCK, # 10	60346
13	SCREW, CAP, HEX. SOCKET HD, SST, UNF, 10-32 x 1-1/4 LG	66342
14	WELDMENT ASSY, DOOR INTERLOCK	50077
15	SOLENOID, RC-5C, PULL TYPE, MODIFIED	50872
16	SPRING, COMPRESSION	68745
17	SCREW, MACH, HEX HD, SLOTTED, SST, UNF, 10-32 x 1/2 LG	66339
18	SCREW, MACH, PAN HD, SLOTTED, SST, UNF, #10-32 x 1/2 LG	61124
19	ASSY, BRACKET, MICROSWITCH, RC-5C	50887
20	SCREW, MACH, PAN HD, SLOTTED, SST, UNC, #4-40 x 5/8 LG	62396
21	WASHER, FLAT, #4, 1/8 I.D. x 1/4 O.D. x .022 THK, SST	61072
22	INSULATOR, FISH PAPER, 1-19/32 x 1 x .015 THK	62245
23	MICROSWITCH, MODIFIED	66753
24	PIN, CLEVIS, .187 DIA x .75 LG	68080
25	PIN, SPRING, SPIRAL, (1/8 x 9/16)	63238
26	PIN, HITCH, .042 DIA x 31/32 LG	67567
27	BEARING, NYLINER, FLANGED	66314
28	LINK, SOLENOID, RC-5C	50870
29	PLUNGER, DOOR INTERLOCK, RC-5C	50871
30	SCREW, MACH, HEX HD, SST, UNC, 6-32 x 5/8 LG	68746
31	NUT, HEX, TOPLOCK, #6-32, SST	61042
32	LINK, MANUALRELEASE, RC-5C	50869
33	PLATE, SUPPORT, DOOR INTERLOC K	50776
34	POST, SPRING, .188 DIA x 1.50 LG	68161
35	TAPE, INSULATING, 1" x 1-1/2	67710
36	SOLENOID ASSY, RC-5C	50803
37	PIN, SPRING, SELFLOCKING, .093 DIA x .62	67904
38	SCREW, BINDING HD, SST, #10-32 x 5/16 LG	60855
39	WASHER, #10 SPLIT LK, SST, LIGHT SERIES	60346
40	BRACKET, SOLENOID	50501

Table 13-10. Door Interlock Assembly (Part A)

Item No.	Description	Part No.
41	SCREW , SOC HD CAP, #10-32 x 1-7/8 LG, SST	67906
42	SPACER, ROUND, .194 I.D. x 1/2 O.D. x 1-7/16 LG	68160
43	ROD, DOOR, MANUAL RELEASE	50881
44	ROD, SOLENOID RELEASE	50522
45	WASHER, 1/4 FLAT, STL, CAD PLTD, 5/8 O.D. x 9/32 I.D. x 1/16 THK	60233
46	SPRING, COMPRESSION, .360 O.D. x 1.00 FL x .032 WIRE	67899
47	SET SCR, SOC HD, CUP PT, #10-32 x 3/16 LG , STL	64342
48	BUTTON, DOOR INTERLOCK (MOLDED ASSY)	50689
49	BEARING, NYLON, SNAP-IN, SHAFT SIZE .250 DIA	63985
50	PIN , COTTER, SST, 1/16 DIA x 1/2 LG	60315
51	RING, RETAINING, EXT, 1/4 DIA SHAFT	67903
52	SPRING, EXT, .18 O.D. x 1.00 LG x .018 WIRE	68209
53	PIN, COTTER, HAIRPIN, SST, 19/32 LG	67959
54	RIVET, MODIFIED, INTERLOCK	50732
55	ARM, SOLENOID RELEASE	50612
56	COLLAR, CLAMP TITE	68172
57	LINK, INTERLOCK	50502
58	SPACER, ROUND, 1/2 O.D. x .194 I.D. x 1-1/8 LG	67900
59	SCREW, SOC HD CAP, #10-32 x 1-11/16 LG , SST	60580
60	BUSHING, SNAP, 3/4 I.D., 1.00 MTG HOLE	68214
---	DOOR INTERLOCK ASSEMBLY (ITEMS 1-32)	50868

Table 13-10. Door Interlock Assembly (Part A Continued)

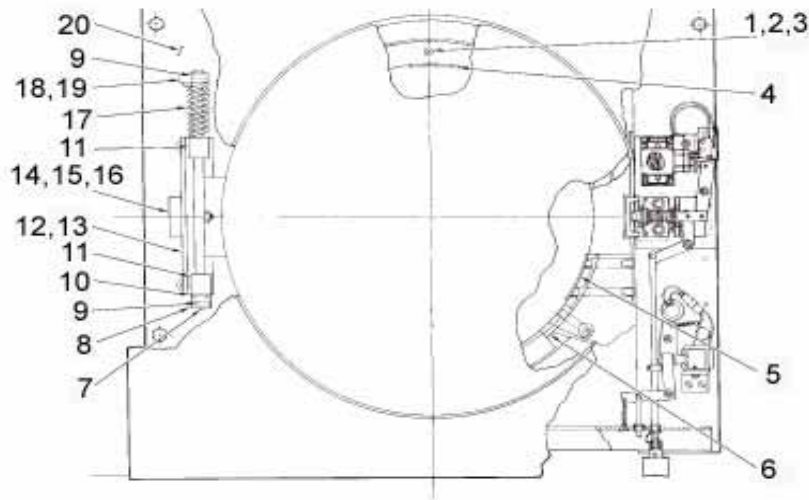


Figure 13-11. Door Interlock Assembly (Part B)

Item No.	Description	Part No.
1	SCREW, FLAT HD, PHILLIPS, WOOD #10 x 1-3/4 LG	65660
2	SEAL RING, DOOR, LOWER	50079
3	SHROUD	50094
4	LABEL, ROTATION	62541
5	STOPPER, KSB OUTLET	20845
6	LOWER SEALRING	20006
7	PIN, SPRING, SPIRAL 1/4 DIA x 1 LG	63240
8	STOP, DOOR	50101
9	PIN. SPRING, SPIRAL 3/16 DIA x 1 LG	63239
10	WASHER, FLAT, NYLON, 1/2 I.D. x 1 O.D. x 1/16 THK	66349
11	BLOCK. MOUNTING, SHAFT (SPRING)	50102
12	BRACKET, MOUNTING	50083
13	SHIM, HINGE	50274
14	SWITCH, PUSH BUTTON, SPDT	66383
15	NUT, THIN HEX, BRASS, 3/8-32 UNEF	66668
16	WASHER, INT TOOTH, SST, 3/8, .388 I.D. x .687 O.D.	62033
17	SPRING, TORSION, .55 I.D. x 2.8 LG	50106
18	SCREW, SET, SLOTTED, CUP POINT, 1/4-20 x 7/8	66743
19	RETAINER SPRING	50100
20	PLATE, SUPPORT, HINGE	50080

Table 13-11. Door Interlock Assembly (Part B)

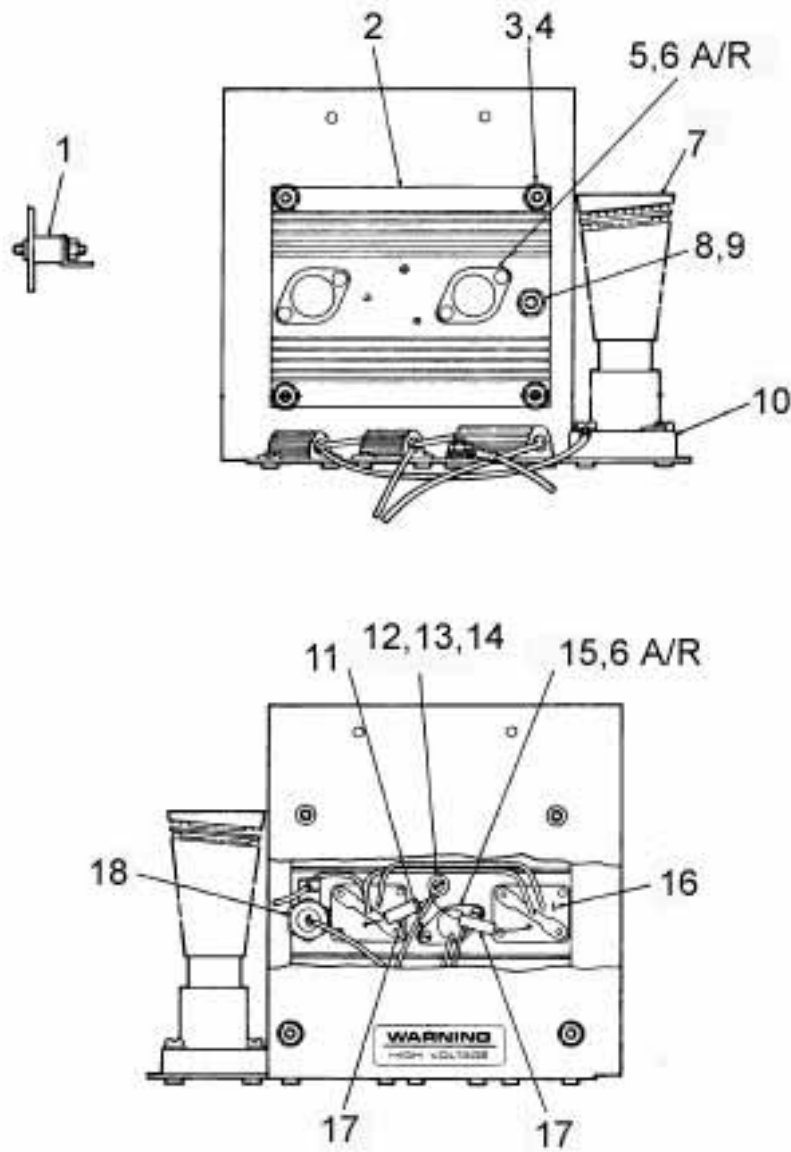


Figure 13-12. Constant Current Brake Assembly

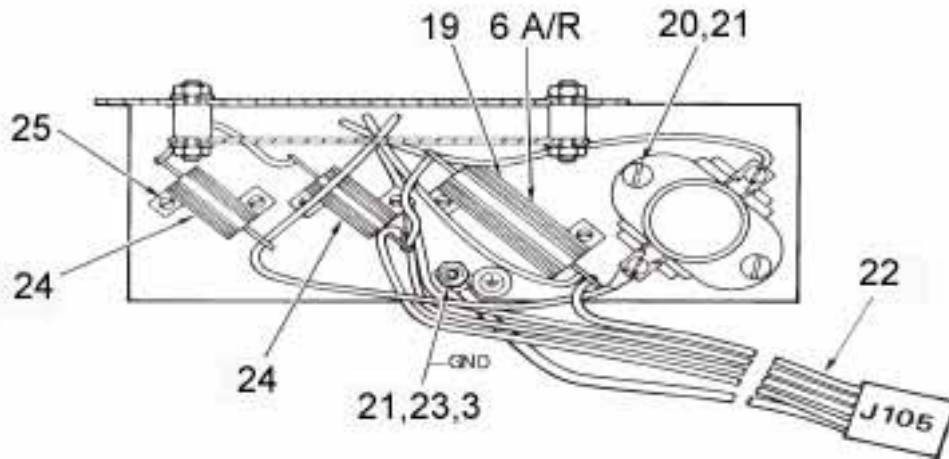


Figure 13-12. Constant Current Brake Assembly (Continued)

Item No.	Description	Part No.
---	CONSTANT CURRENT BRAKE ASSEMBLY	50687
1	STANDOFF, MALE, #10-32, DELRIN, NORELCOM #51130-R-D-.500 WITH .375 LG THRD	68158
2	HEATSINK, MOD RC-5C	50770
3	NUT, HEX, SST #10-32	60012
4	WASHER, FLAT, SST, #10, 13/64 I.D. x 7/16 O.D. x .031 THK	61652
5	TRANSISTOR, POWER NPN, 2N3055	920505
6	COMPOUND, THERMAL, 8 OZ JAR, WAKEFIELD #120-8	NA
7	RESISTOR, BRAKING, 2.7 OHMS, 1000 W	61487
8	NUT, HEX, SST, #1/4-20	61141
9	WASHER, LOCK, SPLIT, #1/4, SST, .047 THK	63019
10	RECEPTACLE, BRAKING, RESISTOR, 660 W, 250 V	60406
11	SCREW, MACHINE, PAN HD, SLOTTED, UNC #4-40 x 3/8 LG	62395
12	SCREW, NYLON, PAN HD, #6-32 x 1/2 LG	67606
13	WASHER, FLAT, NYLON, #10 x 1/8 THK	67383
14	WASHER, FLAT, .169 I.D. x .304 O.D. x .032 THK, SST	63085
15	THERMOSTAT	68173
16	MOUNTING KIT	65580
17	RESISTOR, WIREWOUND, .010 OHMS, 2 W	68171
18	RECTIFIER, SILICON, 100 V, 1N249C	68563
19	RESISTOR, WIREWOUND, 0.5 OHMS, 30 W	68170
20	SCREW, MACHINE, PAN HD, SLOTTED, SST, UNF #10-32 x 3/4 LG	61118
21	WASHER, LOCK, SPLIT, #10 SST, .040 THK	63016
22	HARNESS ASSY, BRAKE, CONSTANT CURRENT	50774
23	WASHER, LOCK, EXTERNAL TOOTH, #10, SST	67896
24	RESISTOR, WIREWOUND, 0.5 OHMS, 25 W	68169
25	SCREW, MACHINE, PAN HD, SLOTTED, SST, UNC #4-40 x 3/16 LG	62913
---	CONSTANT CURRENT BRAKE INSTALLATION KIT	12795

Table 13-12. Constant Current Brake Assembly

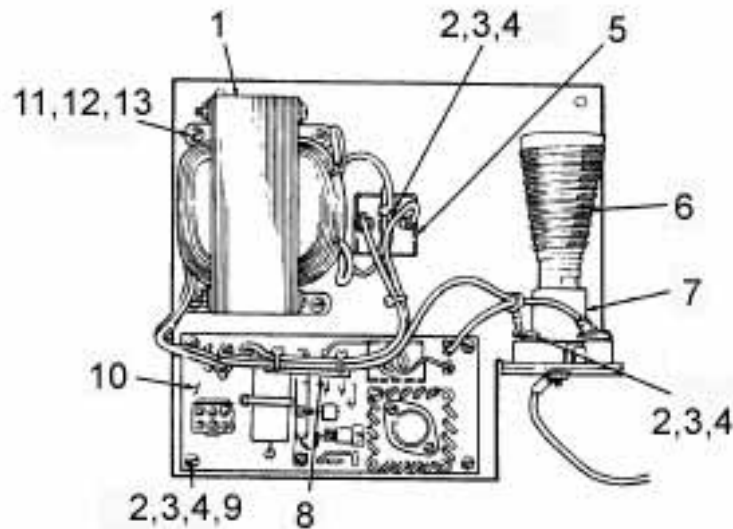


Figure 13-13. Slow Start Assembly

Item No.	Description	Part No.
---	SLOW START ASSY	50757
1	TRANSFORMER ASSY, RECTIFIER, POWER, SLOW START, RC-5C	50633
2	WASHER, LOCK, SPLIT, #8 SST .040 THK	63014
3	WASHER, FLAT, .169 I.D. x .304 O.D. x .032 THK SST	63085
4	SCREW, MACH, PAN HD, SLOTTED, SST, UNC, #8-32 x 3/4 LG	60927
5	RECTIFIER, BRIDGE, 30 AMP, MOTOROLA #MDA 990-4	68115
6	RESISTOR, BRAKING, 2.7 OHMS, 1000 W	61487
7	RECEPTACLE, BRAKING RESISTOR, 660 W, 250 V	60406
8	HARNES ASSY, SLOW START, RC-5C	50802
9	SPACER, ROUND, 3/9 O.D. x 1/2 LG, NYLON, AMATON #9321-N194	65651
10	PRINTED CIRCUIT BOARD ASSY, SLOW START	50716
11	WASHER, LOCK, SPLIT, #10 SST. .040 THK	63016
12	WASHER, FLAT, #10 SST, 13/64 I.D. x 7/16 O.D. x .031 THK	61652
13	SCREW, MACH, PAN HD, SLOTTED, SST, UNF #10-32 x 3/8 LG	61597

Table 13-13. Slow Start Assembly

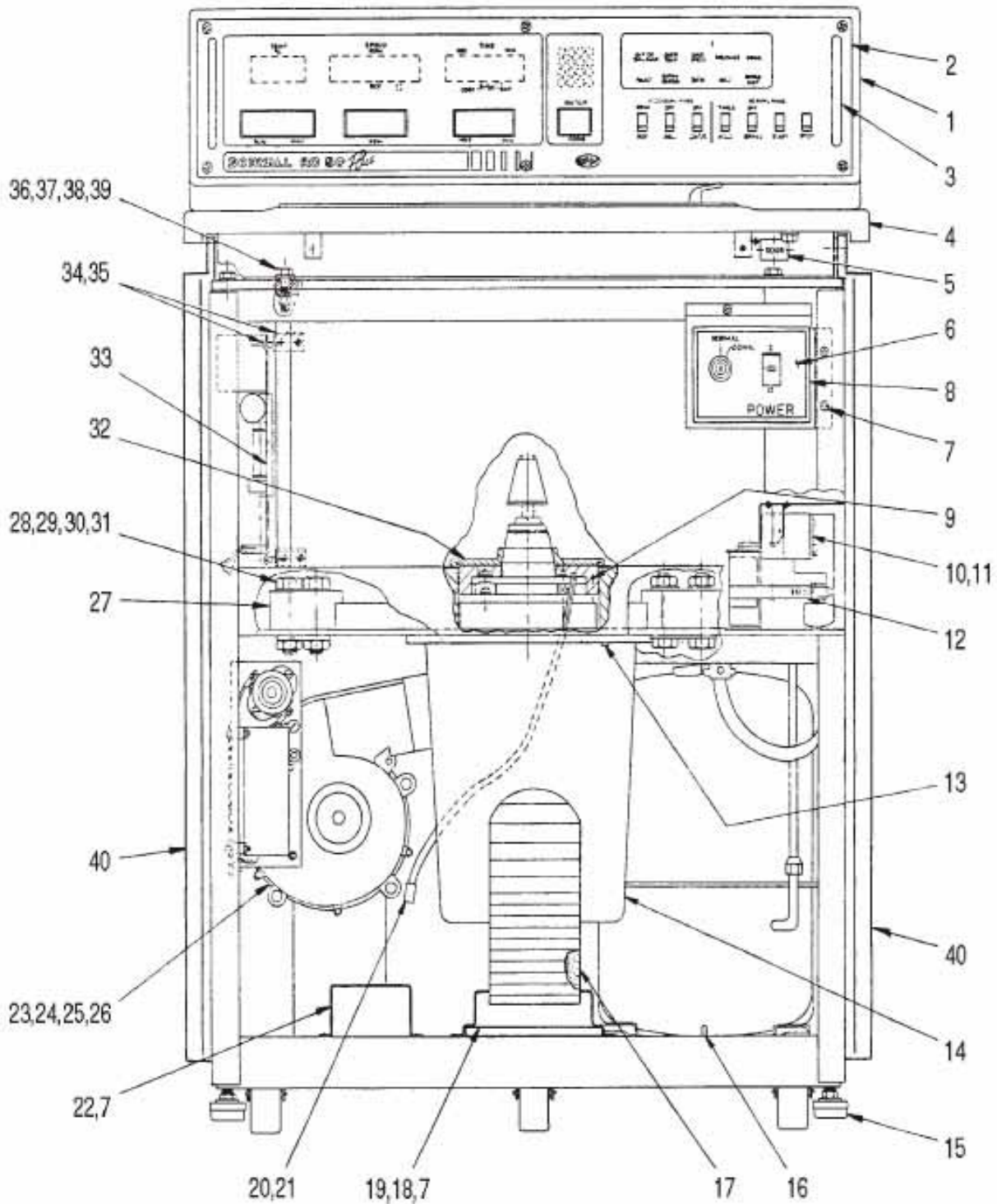


Figure 13-14. RC5C PLUS Assembly, Front View

Item No.	Description	Part No.
1	RC-5C PLUS Console Assembly	74027
2	Front Console Panel Assembly	74521
3	Front Console Panel Handle	55531
4	Deck Assembly	74025
5	Door Button	50689
6	Key Switch Panel Assembly	74520
7	Screw, Pan Head with Lockwasher, Phillips, SST #8-32 ~ 3/8 long	91420
8	Bezel, Circuit Breaker Panel	55508
9	Foam Insulating Disc	50415
10	Relay, Potential	91489
11	Screw, Pan Head with Lockwasher. Phillips, SST, #8-32 x 1/4 long	62828
12	Bracket, Adjustable Band	91057
13	Cap Screw, Hex Head with Lockwasher, SST, 1/4-20 x 1 long	91455
14	Silencer Assembly	74074
15	Leveling Pad	60619
16	Cap Screw, Socket Head - Hex, STL, 1/4 ~ 20 x 1-1/4 long	62844
17	Exhaust Duct Assembly	74035
18	Filter Assembly (includes foam strips)	74037
19	Filter Holder	74038
20	Imbalance Detector Harness Assembly	50778
21	Connector	68683
22	Bracket	56058
23	Blower Motor Assembly	74119
24	Bracket, Blower Motor	74047
25	Screw, indented Hex with Lockwasher, STL, 1/4-20 x 1/2 long	66543
26	Nut, Hex with Lockwasher, #8-32	91482
27	Hold Down Block (Guard to Base)	20839
28	Bolt, Hex Head, Grade 5 STL, Cad Pl, 5/8-11 x 1-1/2 long	65646
29	Flat Washer, 5/8. STL, Cad Pl, 1-1/4 O.D. x 41/64 I.D. x 1/16 thick	65647
30	Split Lockwasher, 5/8, STL, Cad Pl	65648
31	Nut, Hex, Jam, Grade 5, STL, 5/8-11	64784
32	Gyro Cover Seal	50414
33	High Voltage Interface Printed Circuit Board Assembly	50710
34	Bracket, High Voltage Interface PC. Board	50768
35	Screw, Pan Head with Lockwasher, Phillips, STL Zinc Plated, 6-32 x 1/2	91403
36	Nut, Hex, STL, Zinc Plated, 3/8-16 x 21/64 thick	91385
37	Split Lockwasher, STL, Zinc Plated, 3/8 x 0.070 thick	91380
38	Flat Washer, 13/32 I.D. x 13/16 O.D. x 1/16 thick	61627
39	Cap Screw, Hex Head, STL, Zinc Plated, 3/8-16 x 1-1/2 long	91450
40	Panel Assembly, Right Side and Left Side	74111
41	RC5B+/5C+ Preventative Maintenance Kit	12011

Table 13-14. RC5C PLUS Assembly, Front View

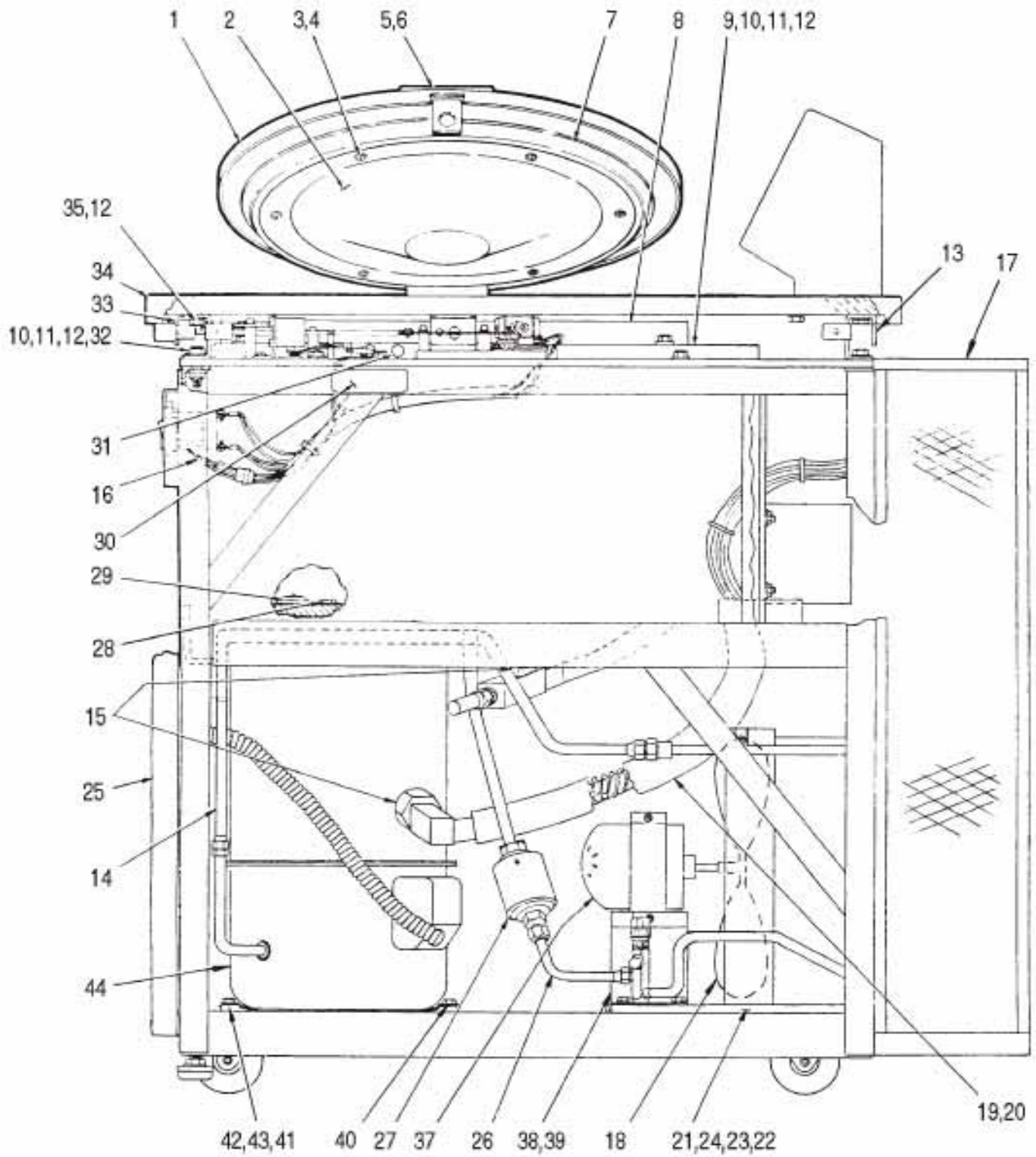


Figure 13-15. RC5C PLUS Assembly, Right View

Item No.	Description	Part No.
1	Door Assembly	74033
2	Diffuser Assembly	74034
3	Washer, Finishing, SST, #10	60683
4	Screw, Wood, OvalHead, Phillips, SST, #19 x 1-1/4 long	65676
5	Door Handle	74028
6	Cap Screw, Flat Head, Socket Hex, Black Oxide, #8-32 x 1 long	66982
7	Upper Door Seal	50473
8	Shroud	50094
9	Evaporator Top Plate	50610
10	Cap Screw, Hex Head, STL, 3/8-16 x 1-1/2 long	91450
11	Flat Washer, 3/8, STL, Cad Pl, 13/32 I.D. x 13/16 O.D. x 1/16 thick	61627
12	Split Lockwasher, 3/8, STL, STL, Zinc Plated	91380
13	Top Deck Support Assembly, Rear	50616
14	Tube Assembly (Compressor to Condenser)	74115
15	Seal, Teflon () Fiber	61768
16	Harness, Keyswitch Assembly	74558
17	Backpack Assembly	74316
18	Fan Blade	91362
19	Suction Tube Assembly	74068
20	Suction Line Insulation (5-1/2 inches)	20588
21	Condensing Unit Assembly	74081
22	Flat Washer, 1/4, STL, Zinc Pl, 0.281 I.D. x 0.734 O.D. x 0.063 thick	91366
23	Split Lockwasher, SST, 1/4	63019
24	Cap Screw, Hex Head, STL, 1/4 ~ 20 x 1-1/2 long	64281
25	Front Panel Assembly with Insulation	74112
26	Tube Assembly (Valve to Filter Dryer)	74114
27	Filter Dryer	71470
28	Floor Temp Sensor Assembly	74596
29	Air Temp Sensor Assembly	74579
30	Label, High Voltage	61223
31	Cork, #4	66633
32	Nut, Hex, STL, Zinc Plated, 3/8-16	91385
33	Top Deck Support Assembly, Front	50430
34	Deck Assembly	74025
35	Screw, Hex Head, 3/8-16 x 3/4 long, STL, Cad Pl	64743
36	KSB Plug, Outer (Not Shown)	20972
37	Condenser Motor Fan	91392
38	Bracket, Condenser Motor Fan	56277
39	Screw, Indented Hex with Lockwasher, STL, 1/4-20 x 1/2 long	66543
40	Screw, Indented Hex with Lockwasher, STL, 5/16-18 x 1/4 long	91369
41	Grommet, Compressor	91471

Table 13-15. RC5C PLUS Assembly, Right View

Item No.	Description	Part No.
42	Screw, Indented with Lockwasher, STL, 5/16-18 x 1-3/4 long	66526
43	Sleeve, Compressor	91472
44	Compressor	91386

Table 13-15. RC5C PLUS Assembly, Right View (continued)

Item # Figure 13-15	Model Starting Serial # Ending Serial # Refrigerant	RC-5C Plus 9300322 9402188 HP-80 Original Configuration	RC-5C Plus 9303251 9402188 HP-62 Upgraded after 7/99 Replacement Parts*	RC-5C Plus 9402189 9503875 HP-62 Original Configuration	RC-5C Plus 9503876 9901464 HP-62 Original Configuration	RC-5C Plus 9901465 Present HP-62 Original Config.**
27	Filter Drier	91470	74781	56200	74174	74346
15	Suction Line	12988	74347	12988	12988	74347
37	Fan Motor	91392	91392	91392	91392	91392
	Run Capacitor	91474	92733	91983	91983	92733
	Start Capacitor	91475	92734	91981	91981	92734
	Potential Relay	91489	92732	91986	91986	92732
18	Fan Blade	91362	91897	91897	91897	91897
21	Condenser Assembly (condenser only)	74081	74081	56217	56217	56217
	Teflon Seal (small)	-----	66952	66952	66952	66952
	Teflon Seal (large)	61768	61768	61768	61768	61768
44	Compressor	74780	74195	56222*	56222*	74195
	Evaporator	12236	12236	74173	74173	74173
14	Tube, Comp. to Condenser	74115	74782	56198	56198	74348

* All RC-5C Plus replacement refrigeration parts use Suva HP-62 refrigerant.

** If the compressor was replaced AFTER July 1999 use the far right column of the chart for replacement parts.

Figure 13-15-1 RC-5C Plus refrigeration parts

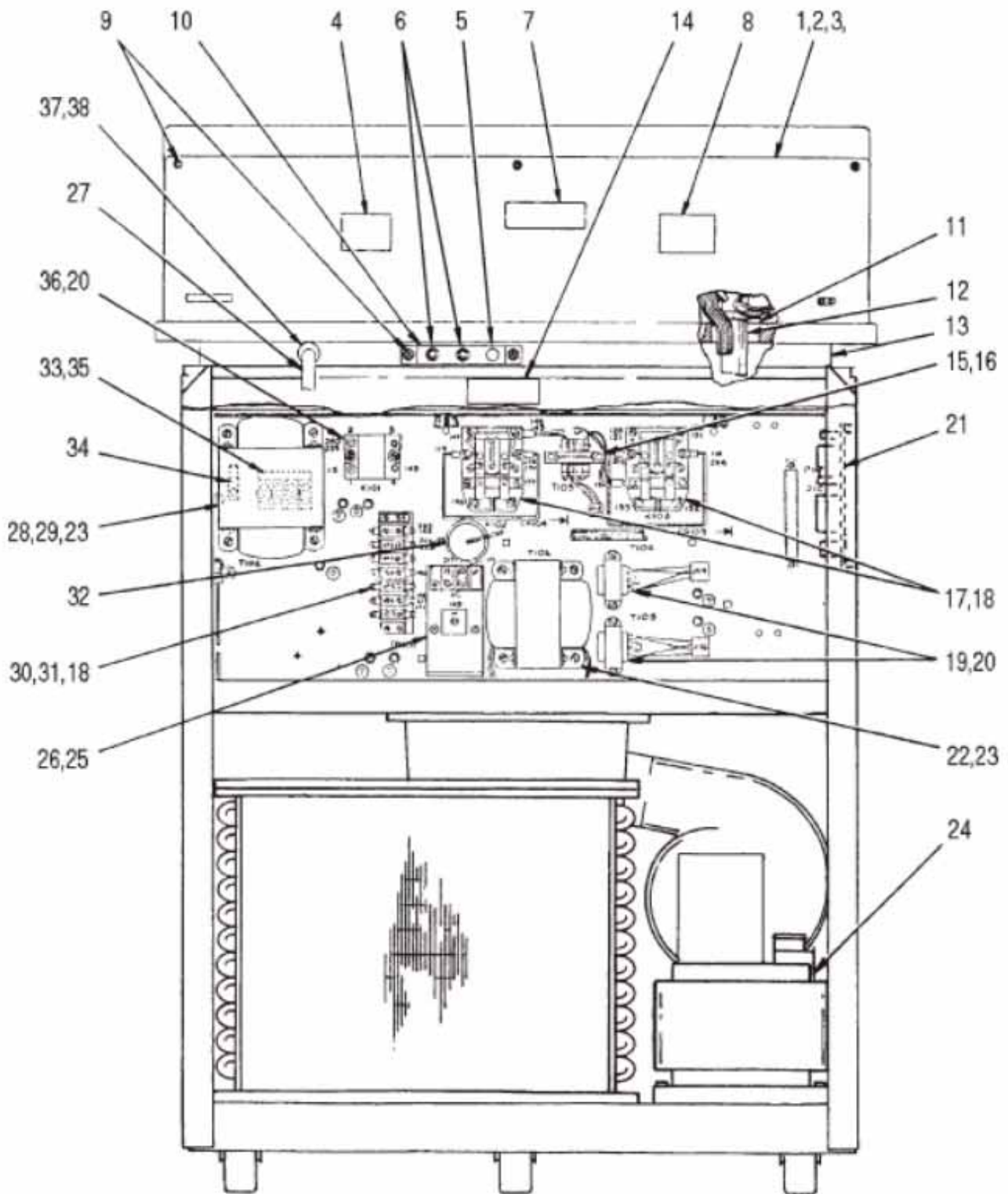


Figure 13-16. RC5C PLUS Assembly, Rear View

Item No.	Description	Part No.
1	Console Backplate	74026
2	Cap Screw, Socket Head, STL, 1/4-20 x 3/4 long	91452
3	Lockwasher External Tooth, SST, #1/4	63937
4	Nameplate	74554
5	Plug, Hole, Snap-in, 3/8 inch, Brass, Chrome Plated	66676
6	Circuit Breaker, 1 Amp, 250 Vac	66760
7	Label, WARNING	68868
8	Label, CAUTION	67369
9	Screw, Pan Head with Lockwasher, Phillips, SST, 8-32 x 3/8 long	91420
10	Breaker Bracket	50624
11	Clamp, Cable, Flat, Adhesive Mount	67294
12	Control Cable Assembly	50806
13	Support Assembly, Top Deck (Rear)	50616
14	Label, Danger, High Voltage	61223
15	Transformer Assembly, Current Limiting	50784
16	Screw, Pan Head, Slotted, STL Cad Pl	91483
17	Relay, Power, Heavy Duty, 24 Vdc	66922
18	Screw, Pan Head, Phillips, STL, Zinc Pl, 8-32 x 3/4 long	91481
19	Transformer Subassembly, Relay Panel	50799
20	Screw, Pan Head with Lockwasher, SST, Zinc Pl, 8-32 x 1/4 long	91493
21	Power Supply PC. Board Assembly	74777
22	Transformer Assembly	74073
23	Nut, Hex with Lockwasher, SST, #10-32	91410
24	Reactor Assembly	74075
25	Rectifier Assembly with Bracket	74532
26	Nut, Hex with Lockwasher, STL, Zinc Pl, #8-32	91482
27	Power Cord	64065
28	Transformer Assembly	76522
29	Flat Washer, SST, #10	61652
30	Terminal Block, Barrier Type, 30 Amp Special	65997
31	Insulator, Terminal Block	66112
32	Gromment, Neoprene, 1-5/16 I.D. x 1-11/16 O.D. x 5/16 thick	68059
33	Terminal Strip, 4 Pole, 40 Amp, 380/450V	67415
34	Connector, Cable, #14-6 AWG Range, #10 MTG	65699
35	Insulator, Terminal Block	50352
36	Relay, Solid State, 3-28 Vdc	68794
37	Strain Relief	68037
38	Nut for Strain Relief	68038
39	Line Filter	92005

Table 13-16. RC5C PLUS Assembly, Rear View

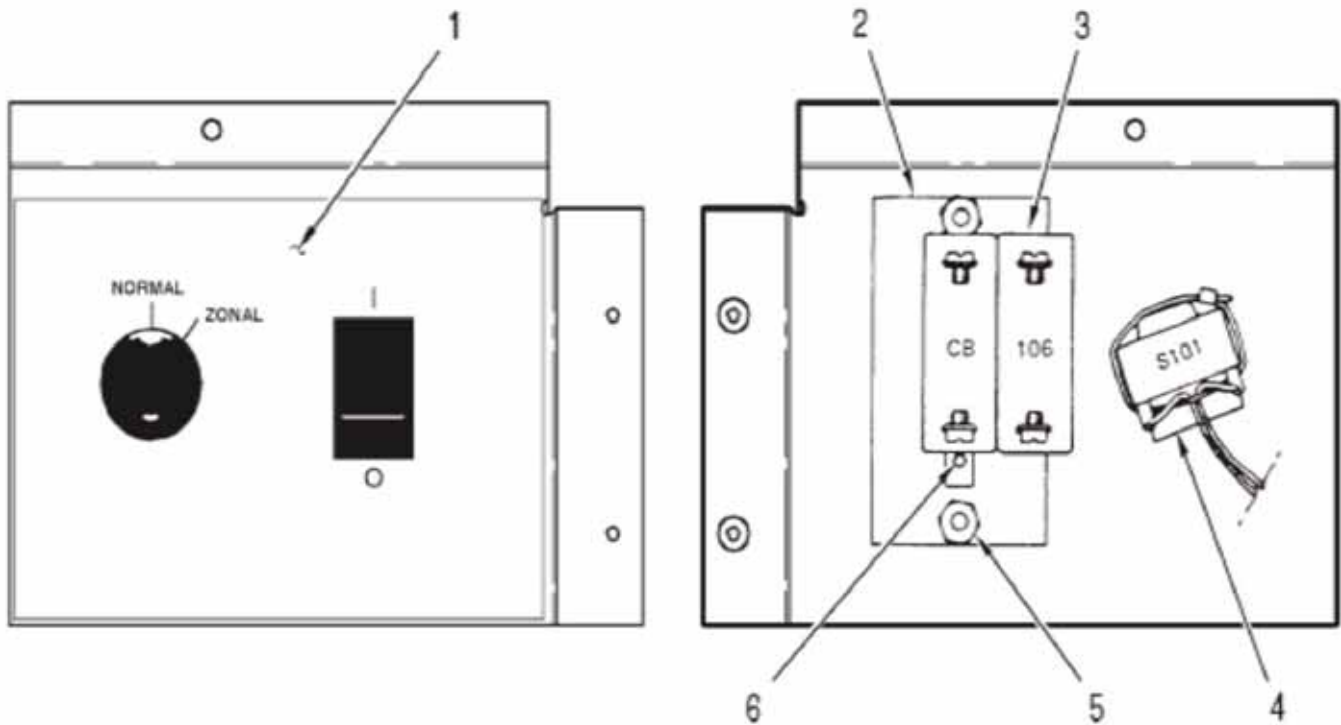


Figure 13-17. Keyswitch Panel Assembly

Item No.	Description	Part No.
1	Overlay, Keyswitch Panel	74517
2	Plate, Mounting, Circuit Protector	50097
3	Circuit Protector, Two Pole, 30 amp	91476
4	Key Switch Assembly	50798
5	Hex Nut with Lockwasher, SST, #10-32	91410
6	Screw, Flat Head, Slotted, SST, UNC, #6-32 x 1/4 long	60674
---	Key	91499

Table 13-17. Keyswitch Panel Assembly

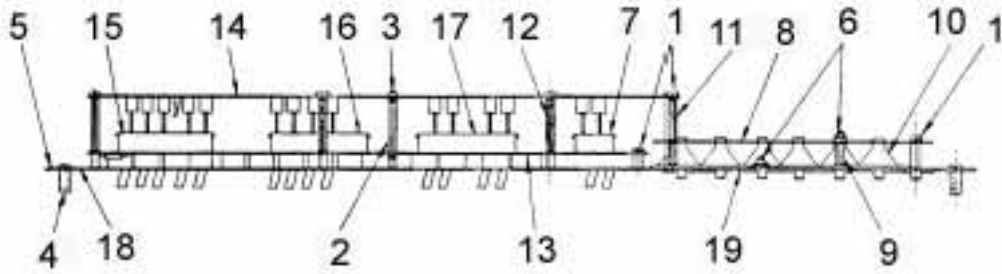


Figure 13-18. Front Console Panel Assembly (Top View)

Item No.	Description	Part No.
1	Screw, Pan Head, Slotted, SST, UNC, #6-32 x 3/8 long	91417
2	Standoff, Female, 1/4 Hex x 2-1/8 long, #6-32	90925
3	Screw, Nylon, Pan Head, Phillips, UNC, #6-32 x 3/8 long	91479
4	Front Console Panel Handle	55531
5	Front Panel Console	74535
6	Nut, Hex with Lockwasher, SST, #6-32	91445
7	Switch, Minilever, Panel Mount, 2 Station, Rotor Code	92252
8	Switches and Indicators Printed Circuit Board Assembly	50685
	Switches S1, S2, S3, S4, Toggle, PC Mount	67183
	Switch S5 Toggle, PC Mount	68048
	Switch S6 Toggle, PC Mount	68047
	Switch S7 Toggle, PC Mount	68049
	Incandescent Lamp, DS1 through DS 12	83187
9	Standoff, Male - Female, 1/4 Hex x 1 inch long, #6-32, SST	50756
10	Reflector, Light	50645
11	Standoff, Female, 1/4 Hex x 1/4 long, #6-32, SST	68046
12	Standoff, Male - Female, 1/4 Hex x 1-5/8 long, #6-32, SST	67337
13	LED Display Circuit Board Assembly	50679
14	Microcomputer Printed Circuit Board Assembly	56266
15	Switch, Minilever, Panel Mount, 6 Station, TEMP	92253
16	Switch, Minilever, Panel Mount, 5 Station, SPEED	92251
17	Switch, Minilever, Panel Mount, 5 Station, TIME	92250
18	Front Panel Overlay	74516
19	Rotor Label I.D. Sticker	74522
19	Rotor Label I.D. Sticker (CE Only)	74750
---	Harness Assembly, Main (Not Shown)	74538
---	Cable Assembly, Control (Not Shown)	50806

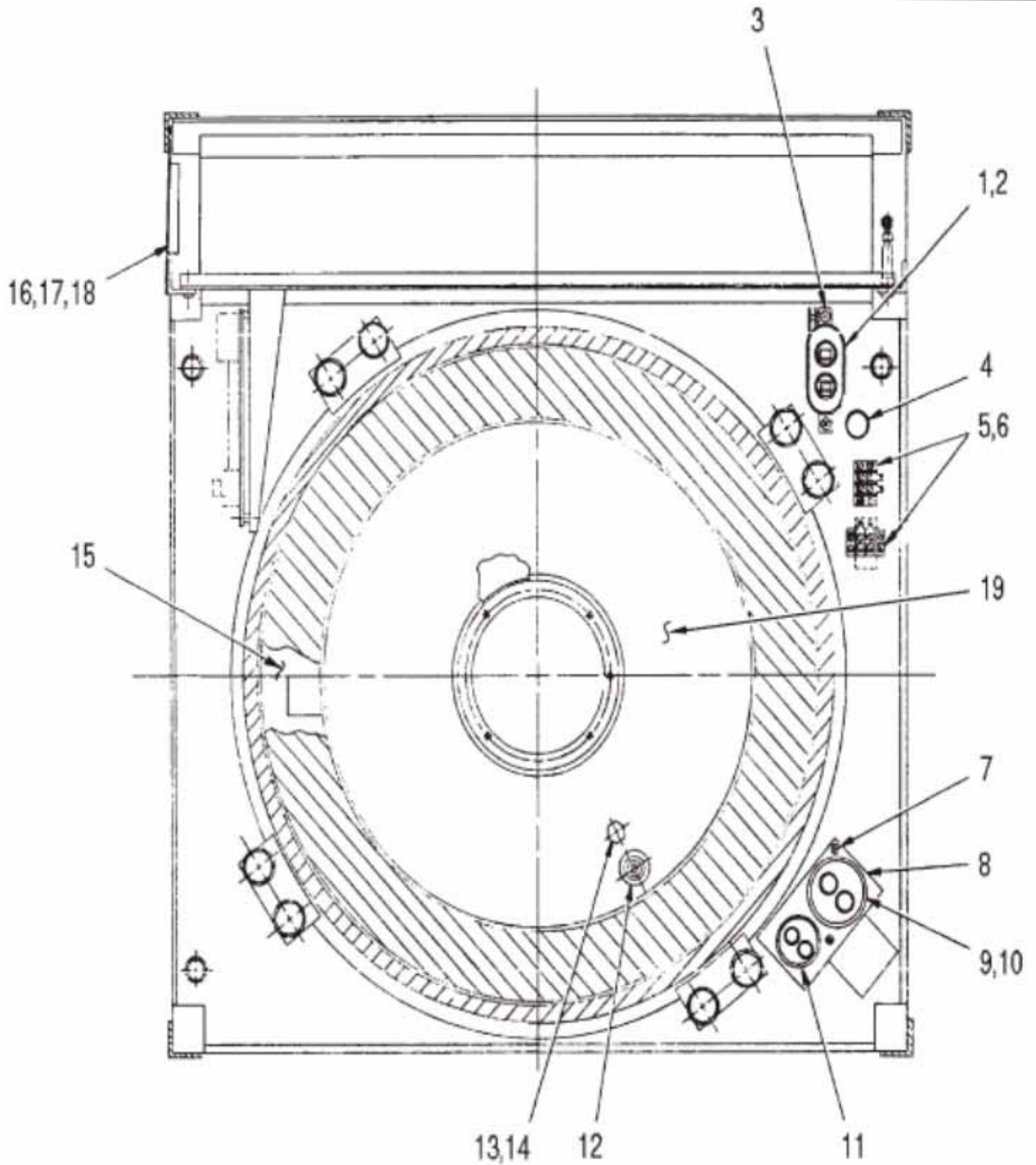


Figure 13-19. RC5C PLUS Evaporator Assembly (Top View)

Item No.	Description	Part No.
1	Capacitor, Motor Run, 20 uF	66961
2	Bracket, Capacitor, Universal Wrap	66957
3	Screw, Pan Head with Lockwasher, Phillips, SST, 8-32 x 3/8 long	91420
4	Bushing, Snap-in	91430
5	Terminal Block, Barrier Type, 2 Terminal, 15 amp	64723
6	Screw, Pan Head with Lockwasher, SST, UNC, 6-32 x 3/4 long	91456
7	Screw, Pan Head with Lockwasher, SST, 10-32 x 1/2 long	91405
8	Bracket, Capacitor	76262
9	Capacitor, Start 176-216 uF 330 V, 15 K ohm	91475
10	Jumper Assembly	74144
11	Capacitor, Run, 25 uF, 370 V	91474
12	Sensor Assembly, Air Temperature	74579
13	Sensor Assembly, Floor Temperature	74596
14	Grommet, Neoprene	63875
15	Insulation, Evaporator	20094
16	Power Supply Printed Circuit Board Assembly	74777
17	Screw, Pan Head with Lockwasher, STL, Zinc PI, 6-32 x 1/4 long	91486
18	Standoff, Round, 6-32 x 1/2 long	68097

Note: For items 9 & 11 see Table 13-15-1 on page 13-33.

Table 13-19. RC5C PLUS Evaporator Assembly (Top View)

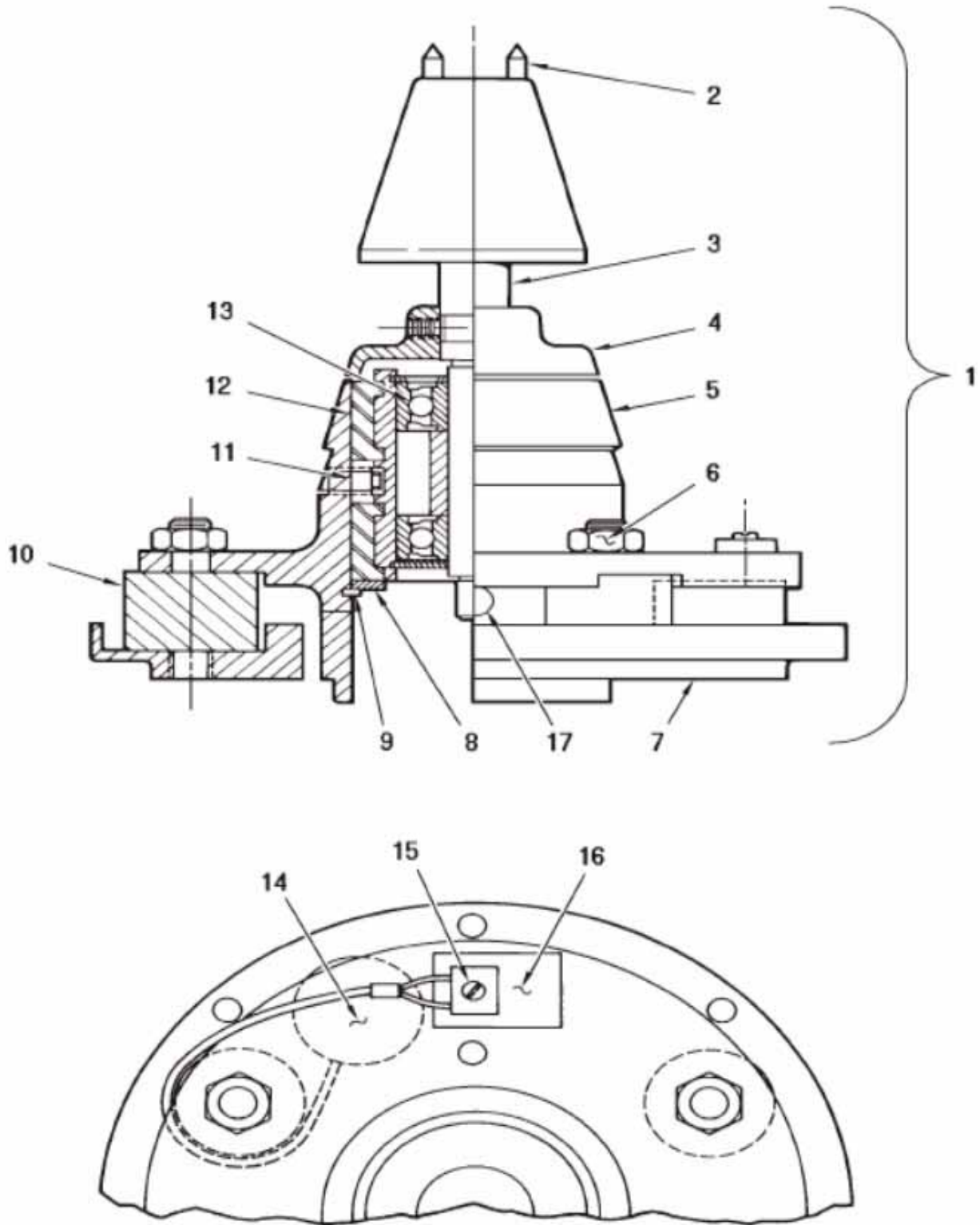


Figure 13-20. RC5C PLUS Drive Assembly

Item No.	Description	Part No.
1	RC-5C PLUS Gyro Action Drive Assembly	12817
2	Pin, Tapered Spindle	204742
3	Spindle Assembly	12348
4	Slinger, Sealing	50578
5	Mounting Plate, Upper	50812
6	Nut, Hex, SST, UNC, 5/16-18	67273
7	Mounting Plate, Lower	50407
8	Washer, Support	50409
9	Retaining Ring	67270
10	Mount, Flex-Bolt	50408
11	Set Screw, Hex Socket, SST, UNC, #1/4-20 x 3/8 long	67272
12	Housing Assembly, Bearing	50405
13	Bearing Replacement Kit	12342
14	Imbalance Detector	50843
15	Screw, Pan Head, Slotted, SST, UNC, #2-56 x 1/4 long	63818
16	Insulator	67710
17	Plug, Access Hole	67341

Table 13-20. RC5C PLUS Drive Assembly

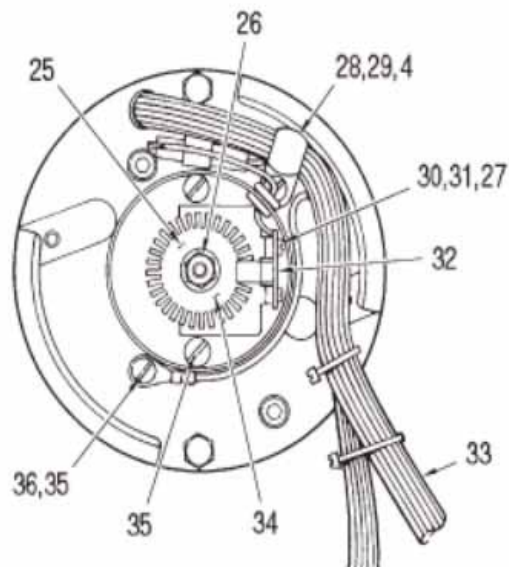
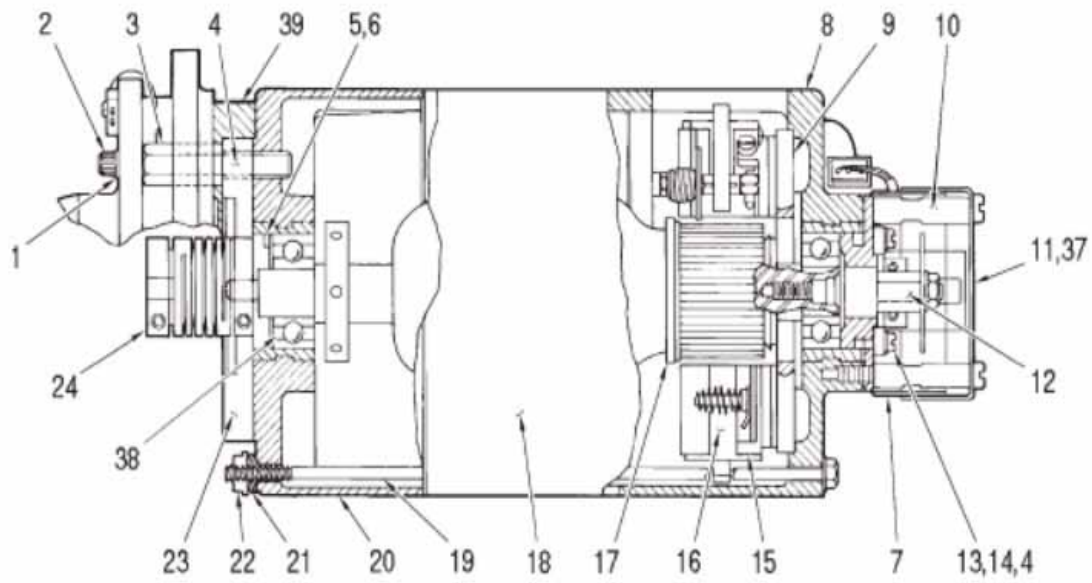


Figure 13-21. RC5C PLUS Motor Assembly (Brush Motor)

Item No.	Description	Part No.
- - -	RC-5C PLUS Motor Assembly	74510
1	Split Lockwasher, #10, SST, 0.040 thick	63016
2	Cap Screw, Socket Head Hex, SST, UNF, #10-32 x 3/4 long	60568
3	Standoff, 7/16 Hex, Male 1/2-20 Female #10-32	50418
4	Adhesive, Sealant, Loctite, #222	65811
5	Washer, Spring, Wavy, 1.051 I.D. x 1.351 O.D. x 0.99 H	67281
6	Shim, 0.010 thick	20483
6	Shim, 0.020 thick	20509
6	Shim, 0.040 thick	20510
7	Dust Cover, Bottom	74565
8	End Bell, Lower, Motor	74142
9	Disc, Insulating, Motor	20478
10	Standoff, Dust Cover, 5/16 diameter, #10-24 x 1-1/4 long	50849
11	Dust Cover, Top, Optical Pick - up	74564
12	Shaft, Optical Pick - up	74566
13	Screw, Pan Head, Phillips, SST, #5-40 x 1/4 long	61498
15	Holder Assembly, Plate & Brush, RC-5C PLUS	74062
16	Brush, Commutator, 3/8 "	74196
16	Brush, Commutator, 1/4 "	12284
17	Armature Assembly includes	74051
	Armature	50419
	Slinger	74050
	Ball Bearing, Extra Quiet	90984
	Slinger	204672
	Wafer Insulation	50824
	Bearing Spacer	50088
18	Housing & Stator Assembly, Motor (Machining)	20612
19	Rod, Tie, Motor	20507
20	Bell, End, Upper, Motor	50421
21	Washer, Spring, Belleville, 0.19 I.D. x 0.375 O.D. x 0.03 H x 0.02 thick	61980
22	Nut, Flange, Low Carbon STL, Zinc Plated, UNC #10-24	91442
23	Plate, Preload	50416
24	Coupling Assembly	12345
25	Disc, Optical Pick - up	50735
26	Nut, Hex, with Lockwasher, SST, #10 - 32	91410

Table 13-21. RC5C PLUS Motor Assembly (Brush Motor)

27	Flat Washer, #4, SST, 1/8 I.D. x 1/4 O.D. x 0.022 thick	61072
28	Clamp, Cable, Plastic, 1/2 inch diameter	91492
29	Screw, Pan Head, Phillips, SST, UNC, #8-32 x 3/8 long	91420
30	Screw, Pan Head, Slotted, SST, UNC, #4-40 x 3/16 long	62913
31	Split Lockwasher, #4, SST, 0.031 thick	63006
32	Tachometer Pick - Up Printed Circuit Board Assembly	55635
33	Harness Assembly, Motor	74533
34	Bracket	50618
35	Screw, Pan Head, with Lockwasher, SST UNC, #10-24 x 1/4 long	91424
36	Lockwasher, #10 External Tooth, SST	67896
37	Silicone Tape for Dust Cover (refer to callout 11)	90791

Table 13-21. RC5C PLUS Motor Assembly (Brush Motor)

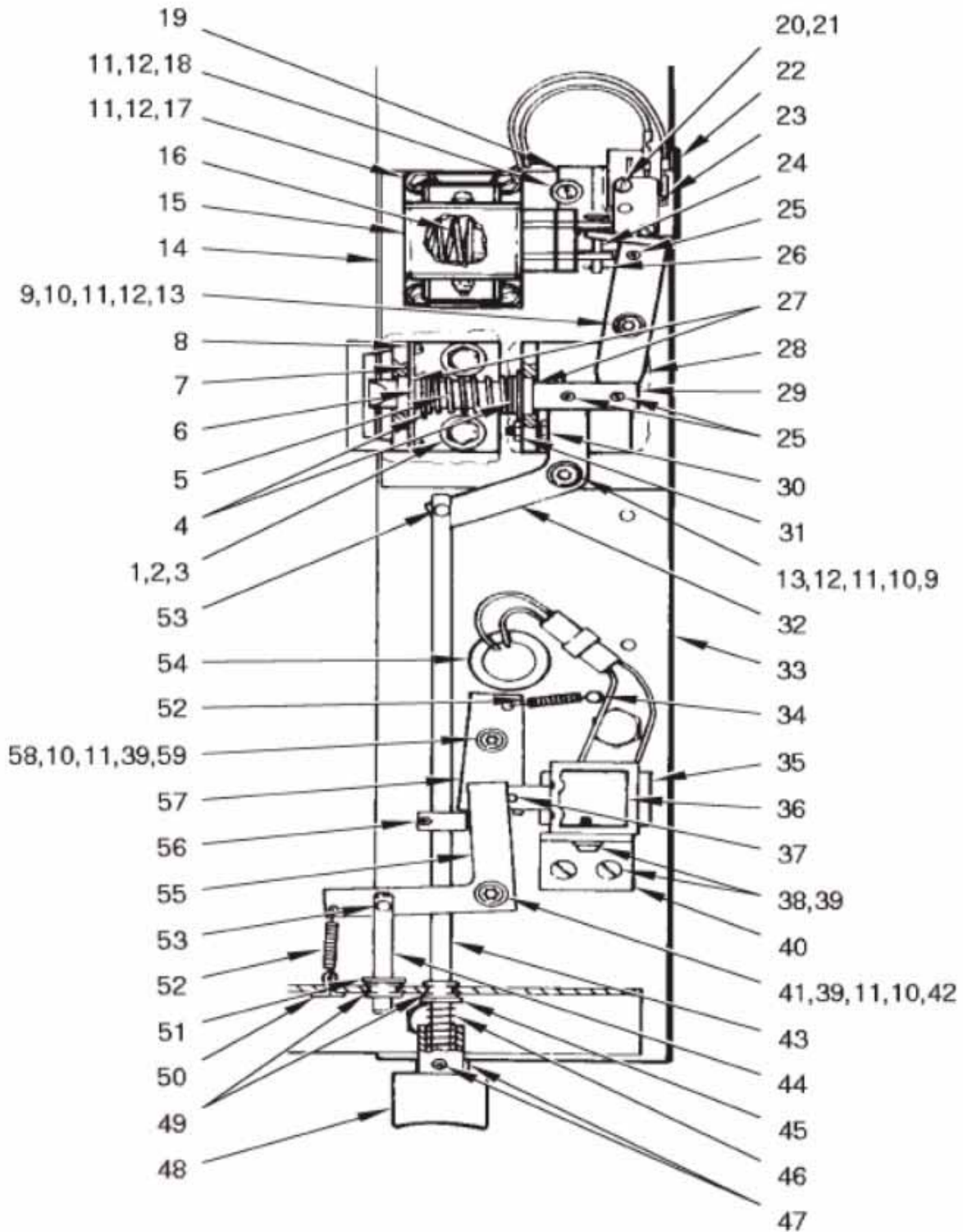


Figure 13-22. RC5C PLUS Door Interlock Assembly (Part A)

Item No.	Description	Part No.
1	Flat Washer, STL, 5/16, 11/32 I.D. x 11/16 O.D. x 1/16 thick	60885
2	Split Lockwasher, 5/16, SST, 0.078 thick	63023
3	Screw, Hex Head, STL, 5/16-18 x 1-1/4 long	64747
4	Flat Washer, 0.515 I.D. x 0.875 O.D. x 0.016 thick, SST, Cad PI	66341
5	Spring, Compression, 0.53 I.D. x 2.3 long, 0.038 Wire Diameter, SST	50076
6	Ring, Retaining, External, 1/2 inch Shaft Diameter	62503
7	Retainer, Bushing	50111
8	Screw, Pan Head, SST, Slotted, UNC #4-40 x 3/16 long	62913
9	Support, Linkage, Interlock	50572
10	Flat Washer, Nylon, 0.39 I.D. x 0.625 O.D. x 0.031 thick	61889
11	Flat Washer, #10, SST, 13/64 I.D. x 7/16 O.D. x 0.031 thick	61652
12	Split Lockwasher, #10, SST, 0.040 thick	60346
13	Cap Screw, Socket Hex Head, SST, UNRF, #10-32 x 1-1/4 long	90340
14	Weldment Assembly, Door Interlock	50077
15	Solenoid, Pull Type, Modified	50870
16	Compression Spring	68745
17	Cap Screw, Socket Hex Head, STL, UNF, #10-32 x 1/2 long	64301
18	Screw, Pan Head, Slotted, SST, UNF, #10-32 x 3/8 long	61597
19	Microswitch Bracket Assembly	50887
20	Screw, Pan Head, Slotted, SST, UNC, #4-40 x 5/8 long	62396
21	Split Lockwasher, #4, SST, 0.020 thick	63004
22	Insulator, Fish Paper, 1-19/32 x 1 x 0.015 thick	62245
23	Microswitch, SPDT	66753
24	Pin, Clevis, 0.187 diameter x 0.75 inch long	68080
25	Pin, Spring, Spiral, 1/8 diameter x 5/8 long	63238
26	Pin, Hitch, 0.042 diameter x 31/32 long	67567
27	Bearing, Nylon, Flanged, 1/2 I.D. x 7/32 long	66314
28	Link, Solenoid	50870
29	Plunger, Door Interlock	50871
30	Screw, Hex Head, SST, Unslotted, UNC, #6-32 x 5/8 long	68746
31	Nut, Hex, SST, #6-32	60074
32	Link, Manual Release	50869
33	Door Interlock Support Plate	50776
34	Post, Spring, 0.188 x 1.50 long	68161
35	Tape, Insulating, 1 inch x 1-1/2 inch	67710

Table 13-22. RC5C PLUS Door Interlock Assembly (Part A)

Item No.	Description	Part No.
36	Solenoid Assembly	50803
37	Pin, Spring, Self Locking, 0.093 x 0.62	67904
38	Screw, Binding Head, SST, #10-32 x 5/16 long	60855
39	Split Lockwasher, SST, #10 x 0.040 thick	60346
40	Bracket, Solenoid	50501
41	Cap Screw, Socket Head, SST, 10-32 x 1-7/8 long	67906
42	Spacer, Round, 0.194 I.D. x 1/2 O.D. x 1-7/16 long	68160
43	Rod, Door, Manual Release	50881
44	Rod, Solenoid Release	50522
45	Flat Washer, 1/4, STL, Zinc Plated, 0.281 I.D. x 0.734 O.D. x 0.063 thick	91366
46	Spring, Compression, 0.360 O.D. x 1.00 FL x 0.032 Wire	67899
47	Setscrew, Socket Head, Cup Point, STL, #10-32 x 3/16 long	64342
48	Button, Door Interlock	50689
49	Bearing, Nylon, Snap-in, Shaft Size 0.25 diameter	63985
50	Pin, Cotter, SST, 1/16 x 1/2 long	60315
51	Ring, Retaining, External, 1/4 shaft diameter	67903
52	Spring, External, 0.18 O.D. x 1.00 long x 0.018 Wire	68209
53	Pin, Cotter, Hairpin, SST, 0.092	66979
54	Bushing, Snap, 3/4 I.D., 1.0 Mounting Hole	68214
55	Arm, Solenoid Release	50612
56	Collar, Clamp Tite	68172
57	Link, Interlock	50502
58	Spacer, Round, 1/2 O.D. x 0.194 I.D. x 1-1/8 long	67900
59	Cap Screw, Socket Head, SST, #10-32 x 1-11/16 long	60580
---	Door Interlock Assembly (Items 1-32)	50868

Table 13-22. RC5C PLUS Door Interlock Assembly (Part A Coninued)

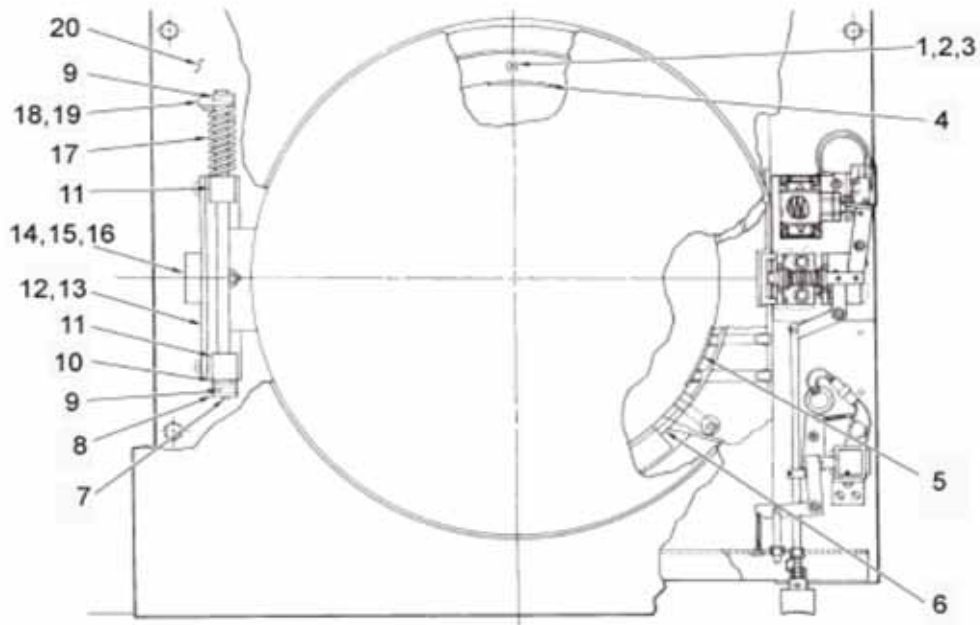


Figure 13-23. RC5C PLUS Door Interlock Assembly (Part B)

Item No.	Description	Part No.
1	Screw, Flat Head, Philips, Wood #10 x 1-3/4 long	65660
2	Seal Ring, Door, Lower	50079
3	Shroud	74059
4	Label, Rotation	62541
5	Stopper, KSB Outlet	20845
6	Lower Seal Ring	20006
7	Pin, Spring, Spiral 1/4 diameter x 1 long	63240
8	Stop, Door	50101
9	Pin, Spring, Spiral 3/16 diameter x 1 long	63239
10	Flat Washer, Nylon, 1/2 I.D. x 1 O.D. x 1/16 thick	66349
11	Block, Mounting, Shaft (Spring)	50102
12	Bracket, Mounting	50083
13	Shim	66183
14	Switch, Push Button, DPDT	91457
15	Nut, Thin Hex, Brass, 3/8-32	66668
16	Washer, Internal Tooth, SST, 3/8 x 0.388 I.D. x 0.687 O.D.	62033
17	Spring, Torsion, .55 I.D. x 2.8 long	50106
18	Setscrew Slotted, Cup Point, 1/4-20 x 7/8 long	66743
19	Retainer Spring	50100
20	Plate, Support, Hinge	50080

Table 13-23. RC5C PLUS Door Interlock Assembly (Part B)

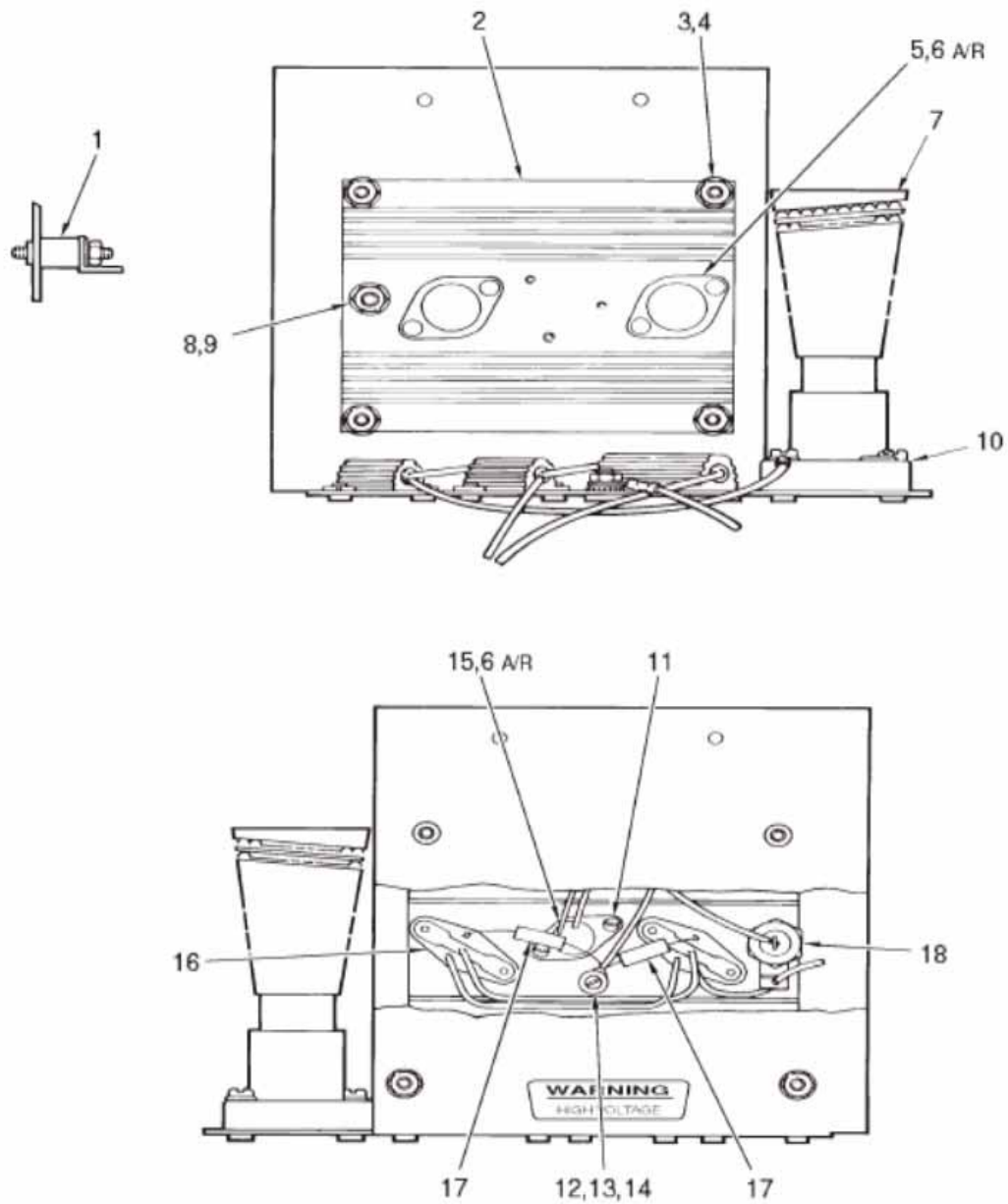


Figure 13-24. RC5C PLUS Constant Current Brake Assembly

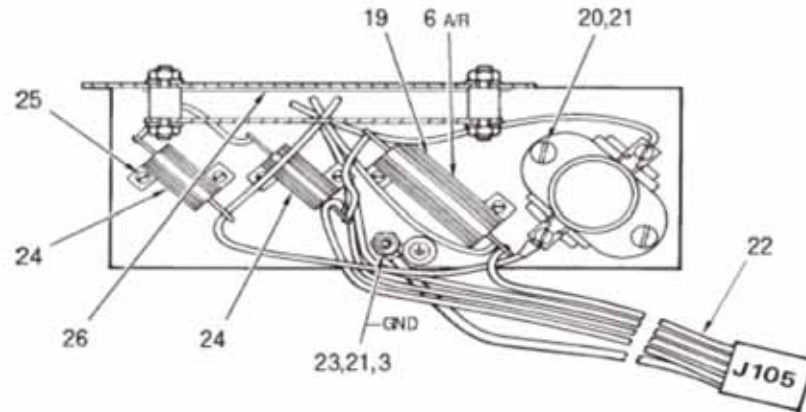


Figure 13-24. RC5C PLUS Constant Current Brake Assembly (Continued)

Item No.	Description	Part No.
- - -	Constant Current Brake Assembly	50687
1	Standoff, Male, #10-32, Delrim, Norelcom #51130-R-D-0 .500 with 0.375 long THRD	68158
2	Heatsink	50770
3	Nut, Hex, SST #10-32	60012
4	Flat Washer, SST, #10, 1 3/64 I.D. x 7/16 O.D. x 0.031thick	61652
5	Transistor, Power NPN, 2N30559	20505
6	Thermal Compound, 8 oz jar, Wakefield #120-8	N/A
7	Resistor, Braking, 2.7 Ohms, 1000 W	61487
8	Nut, Hex, SST, #1/4-20	61141
9	Split Lockwasher, #1/4, SST, 0.047 thick	63019
10	Receptacle, Braking, Resistor, 660 W, 250 V	60406
11	Screw, Pan Head, Slotted, UNC, #4-40 x 3/8 long	62395
12	Screw, Nylon, Pan Head, #6-32 x 1/2 long	67606
13	Flat Washer, Nylon, #10 x 1/8 thick	67383
14	Flat Washer, SST, 0.169 I.D. x 0.304 O.D. x 0.032 thick	63085
15	Thermostat	68173
16	Mounting Kit	65580
17	Resistor, Wirewound, 0.010 Ohms, 2 W	68171
18	Rectifier, Silicon, 100V, 1N249C	68563
19	Resistor, Wirewound, 0.5 Ohms, 30 W	68170
20	Screw, Pan Head, Slotted, SST, UNF, #10-32 x 3/4 long	61118
21	Split Lockwasher, #10 SST, 0.040 thick	63016
22	Harness Assembly, Constant Current Brake	50774
23	Lockwasher, External Tooth, #10, SST	67896
24	Resistor, Wire wound, 0.5 Ohms, 25 W	68169
25	Screw, Pan Head, Slotted, SST, UNC, #4-40 x 3/16 long	62913
26	Insulation, Fish paper	50879
27	Screw, Pan Head, Phillips, SST, UNF, #10-32 x 1/2 long	65768

Table 13-24. RC5C PLUS Constant Current Brake Assembly (Continued)



Figure 13-25 RC-5C Plus Brushless Lower Front View

Item No.	Description	Part No.
1	Motor Cooling Fan (located under the motor shroud)	92697
2	Drive Control Module	73911

Table 13-25 RC-5C Plus Brushless Lower Front View

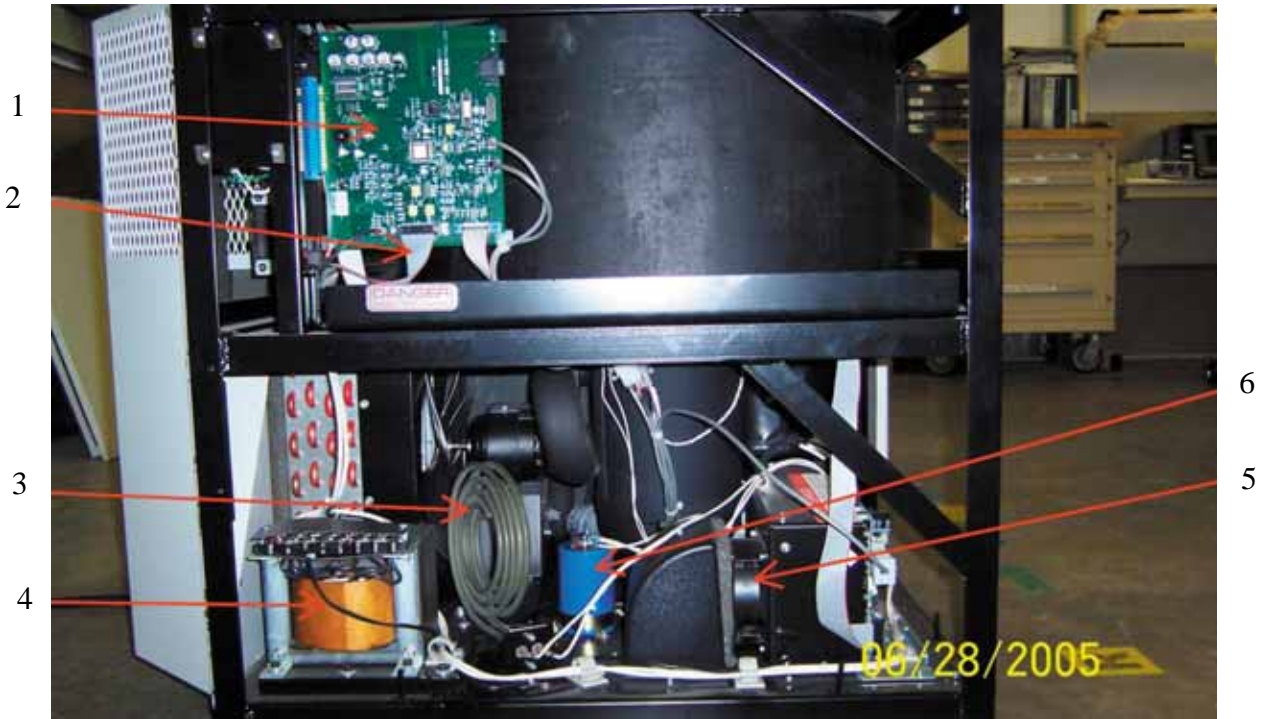


Figure 13-26 RC-5C Plus Brushless Left Side View

Item No.	Description	Part No.
1	Drive Interface PCB	73915
2	Drive Interface Ribbon Cable	73913
3	Calrod Brake Resistor	91046
4	Drive Autotransformer	92428
5	Drive Control Cooling Fan	69380
6	Drive Capacitor	92431

Table 13-26 RC-5C Plus Brushless Left Side View

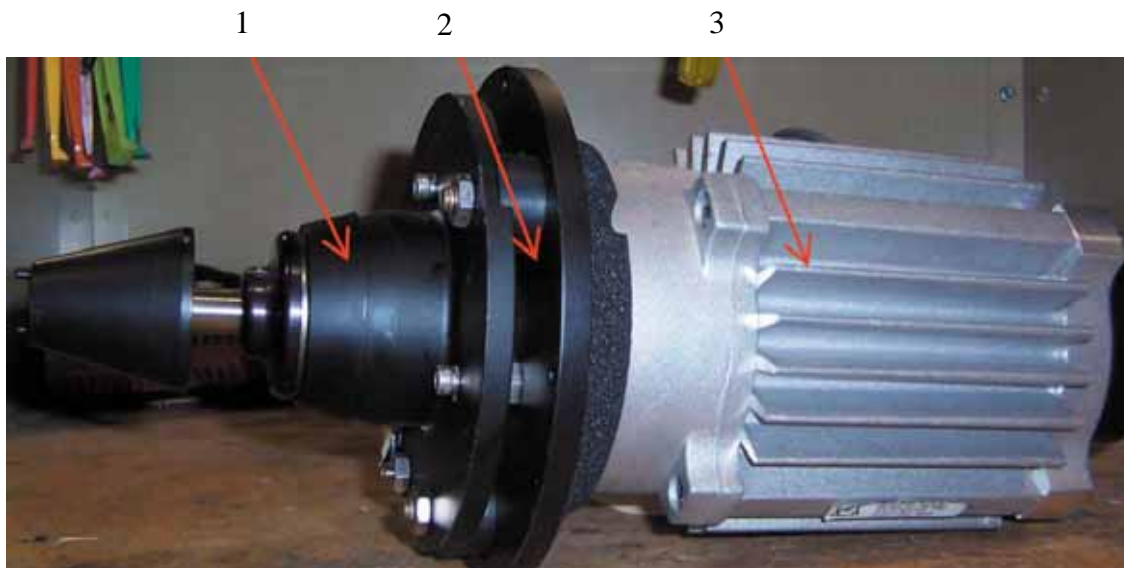


Figure 13-27 RC-5C Plus Brushless Motor / Gyro

Item No.	Description	Part No.
1	Gyro Action Drive Assembly	12817
2	Motor Coupling (not visible in the picture)	12345
3	Brushles Motor Assembly	73938

Table 13-27 RC-5C Plus Brushless Motor / Gyro